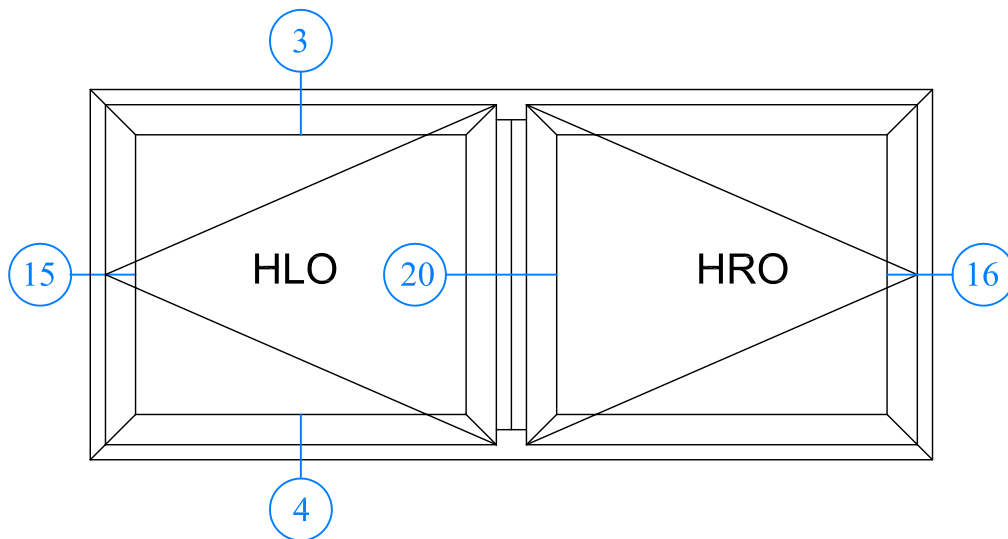
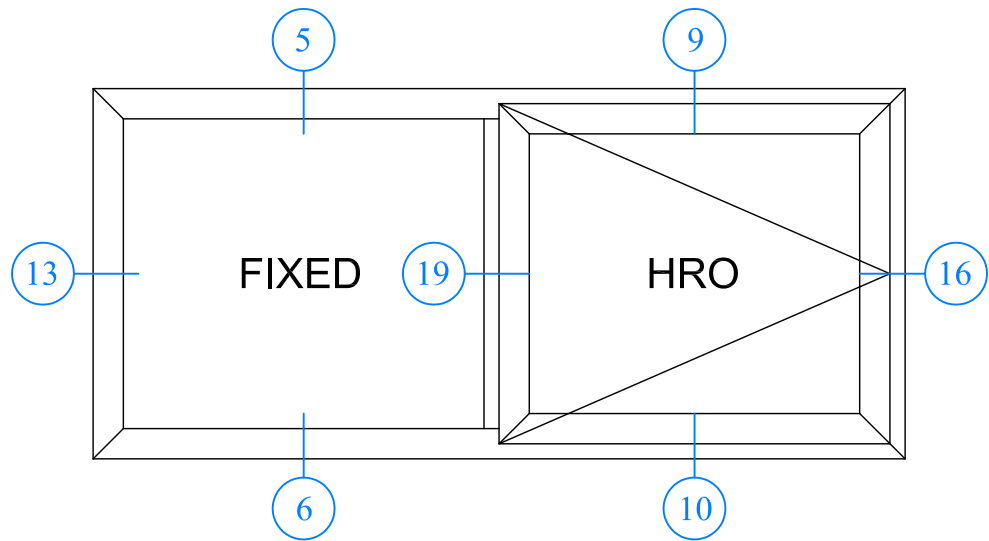
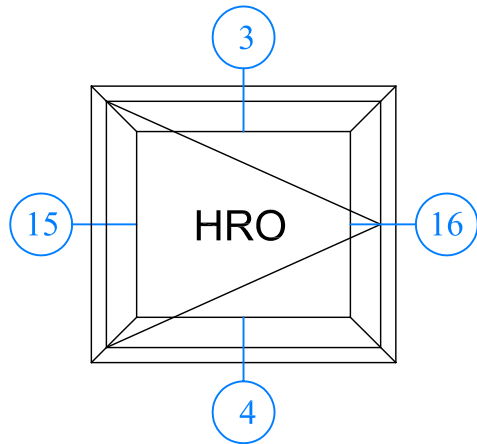
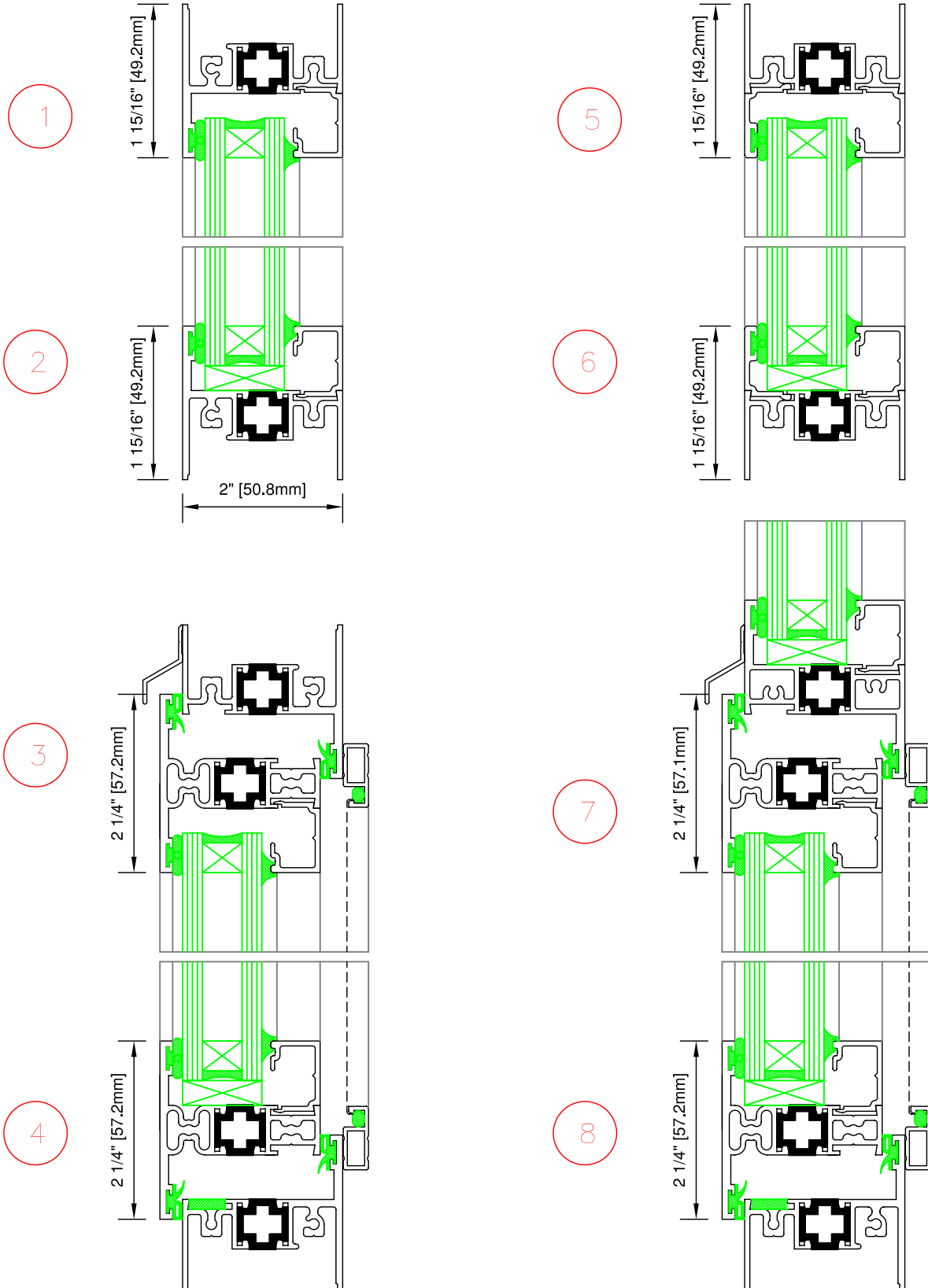


ELEVATION FOR TOP PROJECTED-OUT VENT

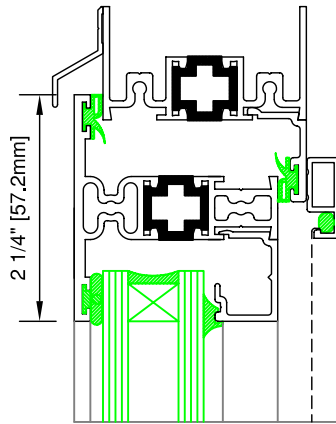


ELEVATION FOR OPEN-OUT CASEMENT

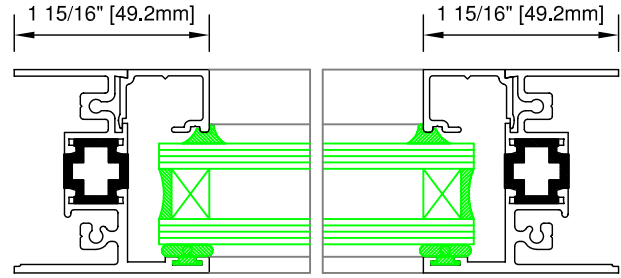
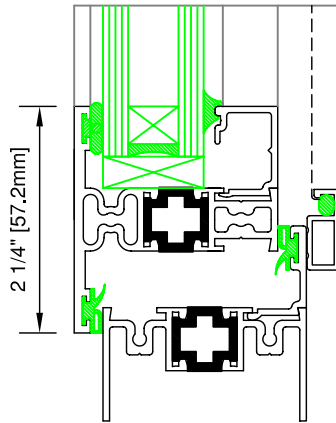


TYPICAL DETAILS

9

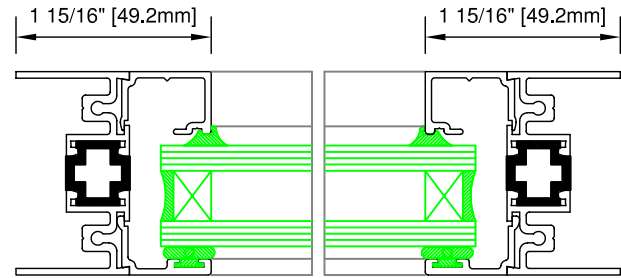


10



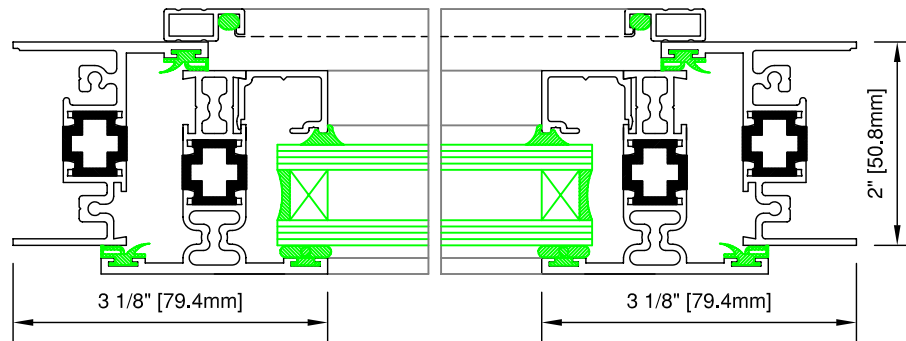
11

12



13

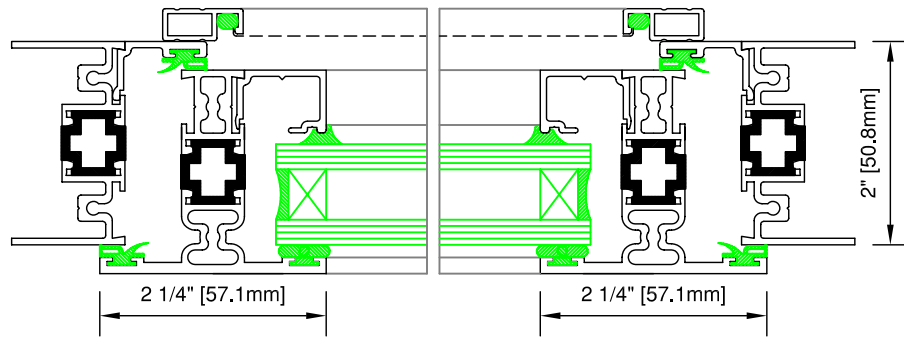
14



15

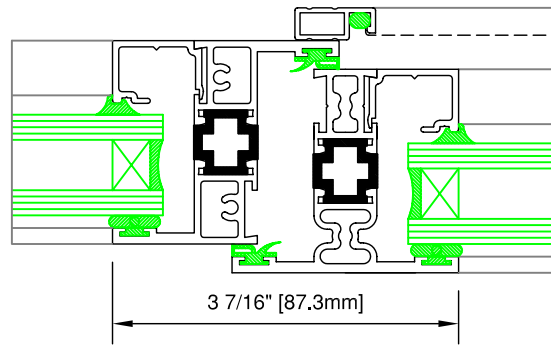
16

TYPICAL DETAILS

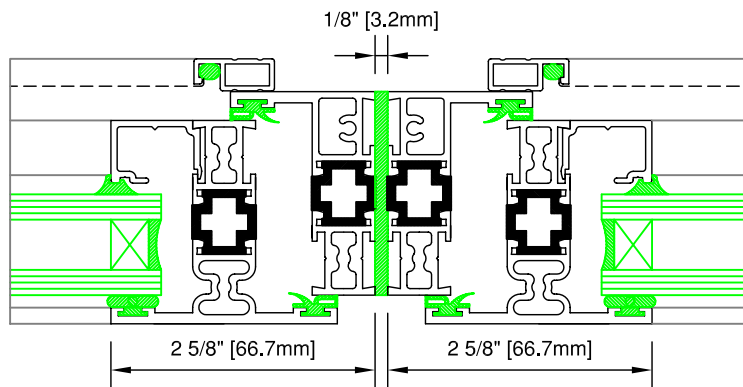


17

18

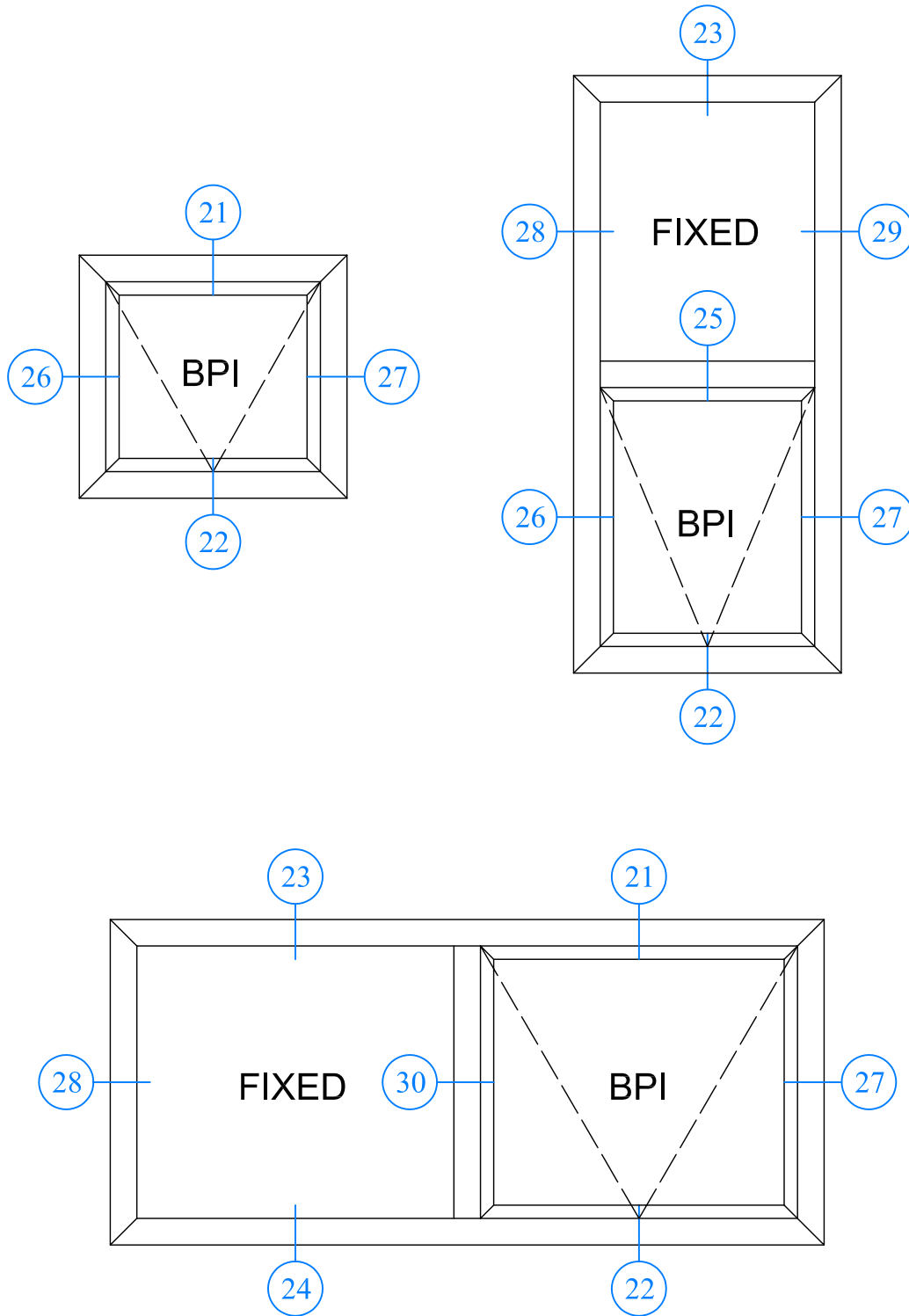


19

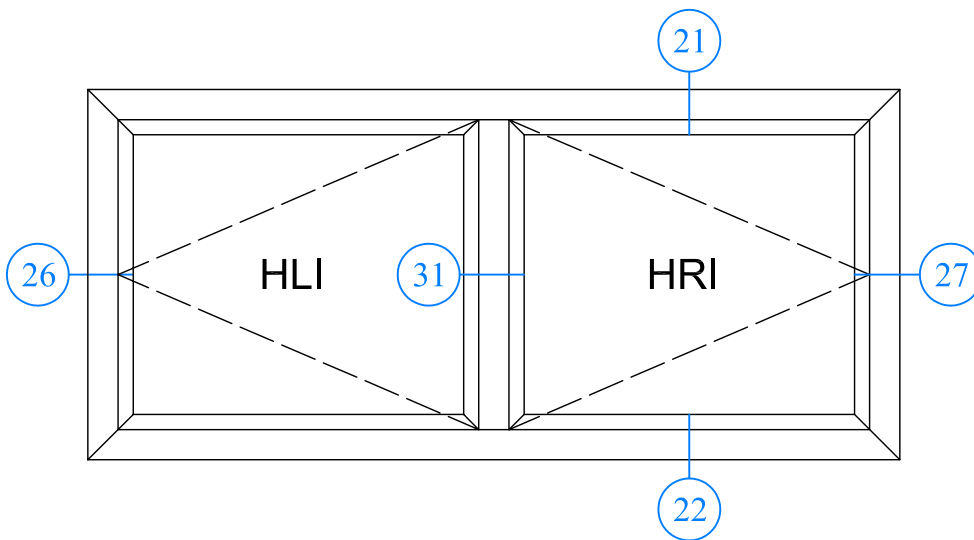
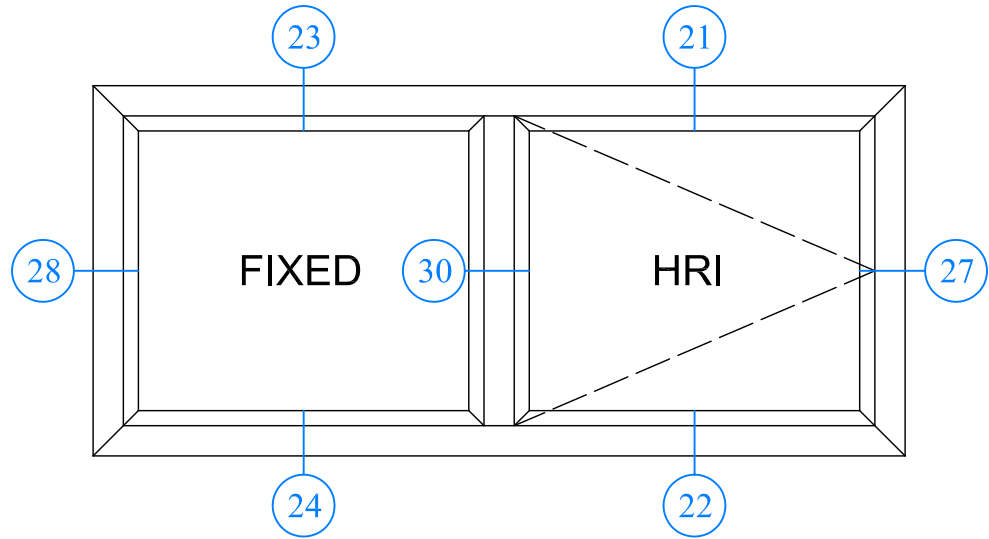
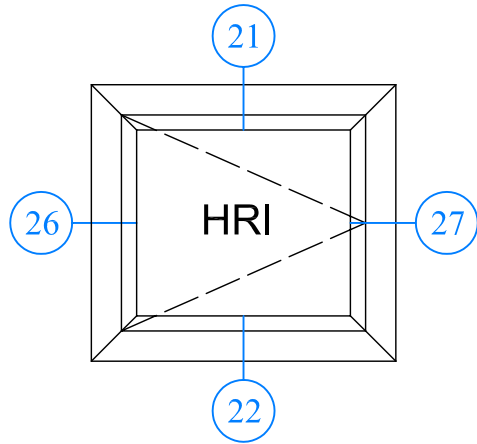


20

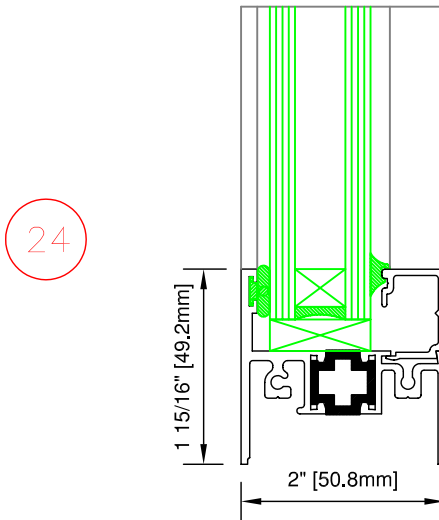
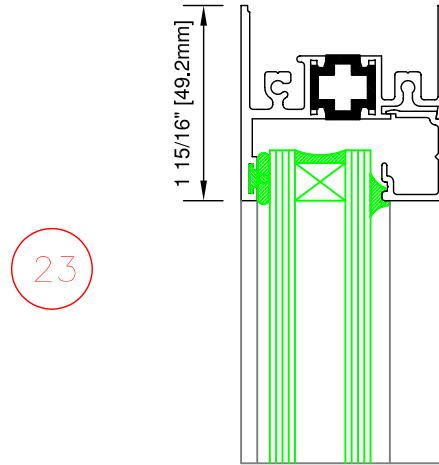
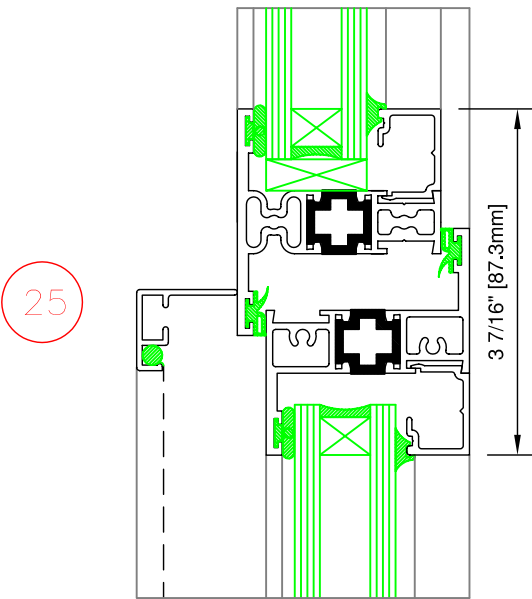
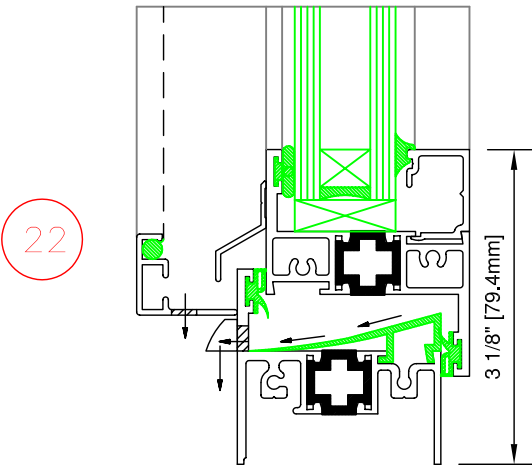
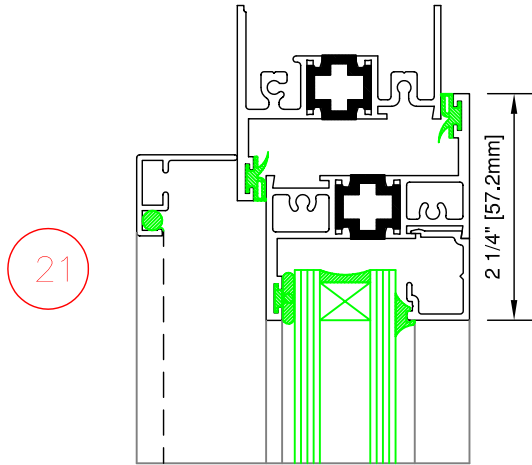
TYPICAL DETAILS



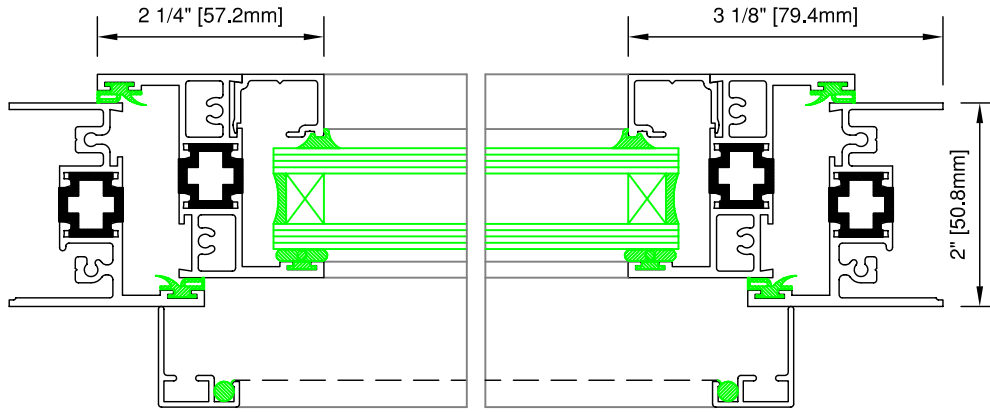
ELEVATION FOR BOTTOM PROJECTED-IN VENT



ELEVATION FOR OPEN-IN CASEMENT

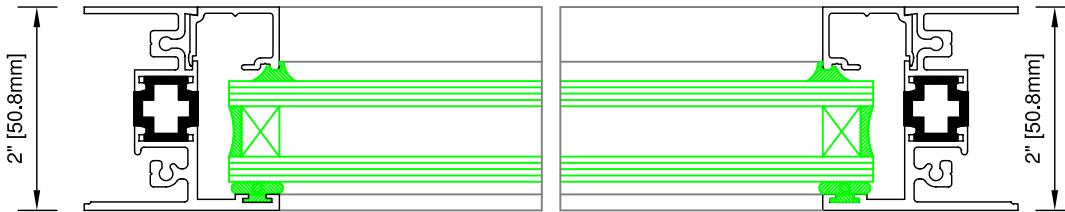


TYPICAL DETAILS



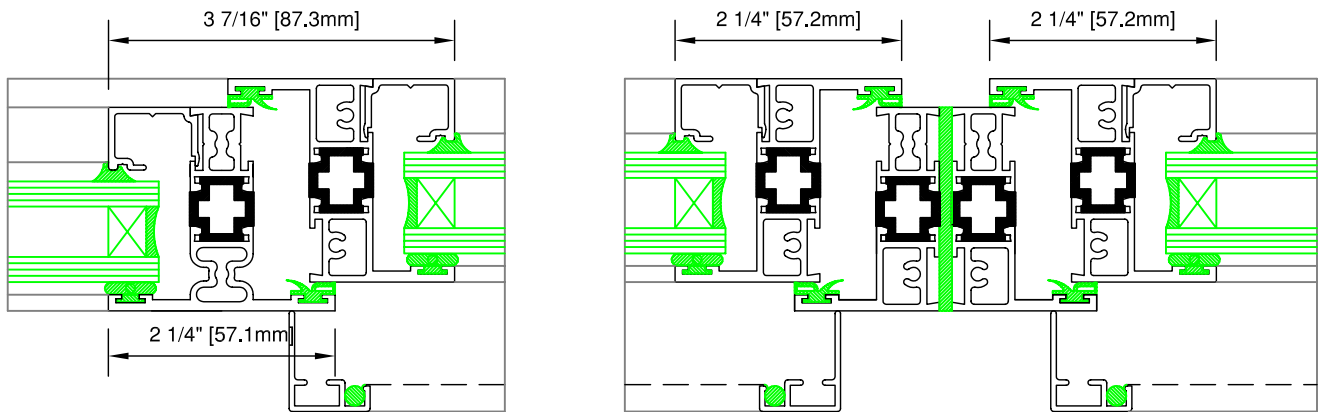
26

27



28

29



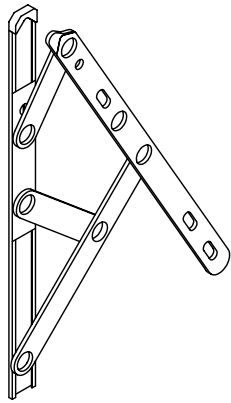
30

31

TYPICAL DETAILS

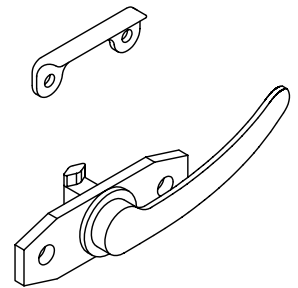
**Vent Projected Hinge
(Sold in Set)**

- 211-901 6"
- 211-902 8"
- 211-903 10"
- 211-904 12"
- 211-906 16"
- 211-908 20"
- 211-909 24"



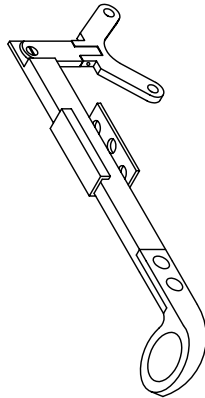
**Cam Handle Plain
Open-in**

- 211-938 Handle RH
- 211-939 Handle LH
- 211-940 Keeper
- 211-941 Gasket



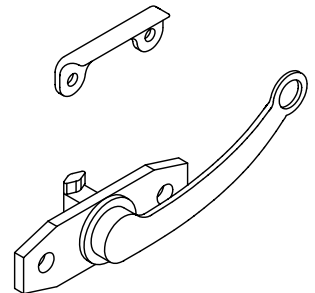
**Underscreen Push Bar
(Sold in Set)**

- 211-912 7" RH
- 211-913 7" LH
- 211-914 10" RH
- 211-915 10" LH
- 211-918 12" RH
- 211-919 12" LH
- 211-929 Gasket



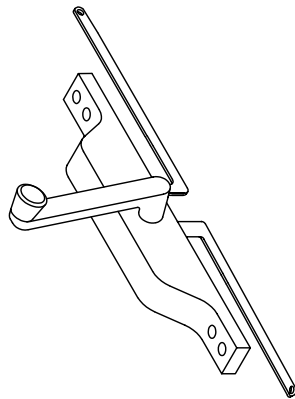
**Cam Handle Ring Type
Open-in**

- 211-936 Handle RH
- 211-937 Handle LH
- 211-940 Keeper
- 211-941 Gasket



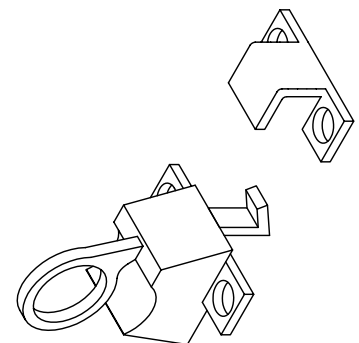
Pivot Shoe Operator

- 211-960 Small
- 211-961 Large
- 211-962 Handle
- 211-963 Channel (small)
- 211-964 Channel (large)
- 211-965 Gasket



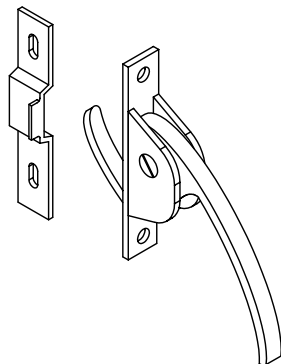
**Ring Catch
& Keeper**

- 211-970 Set



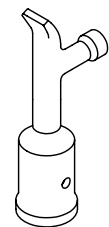
**Claw Handle Plain
Open-out**

- 211-942 Handle
- 211-943 Keeper
- 211-944 Gasket



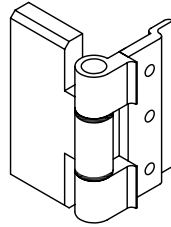
Sash Hook

- 211-975 Hook (only)
- 211-976 Hook with 6' Pole
- 211-977 Hook with Custom Pole



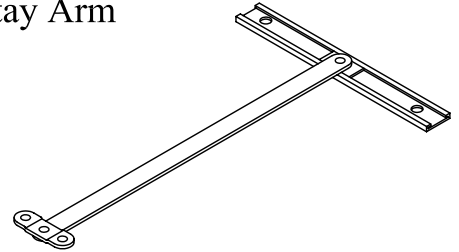
SERIES 211 VENT HARDWARE

Casement Hinge



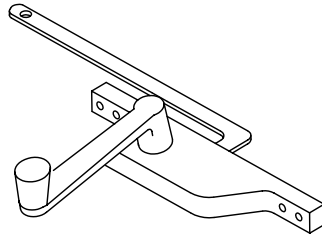
211-945 Hinge Plain

Restrictor Stay Arm



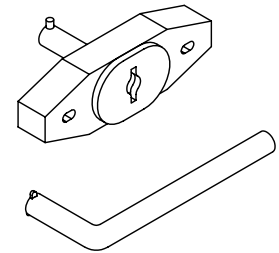
211-959 10"

Roto Operator
for Casement



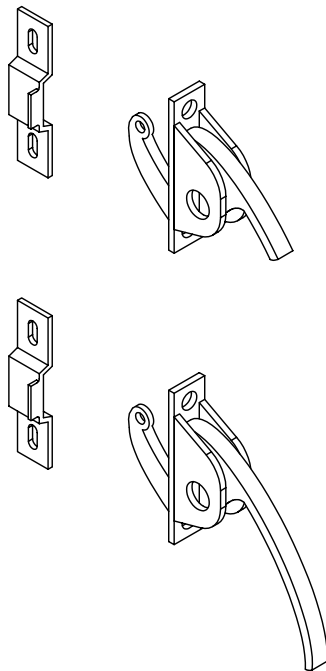
211-950 RH c/w Handle
211-951 LH c/w Handle
211-953 Channel
211-954 Gasket

Key-Operated Lock

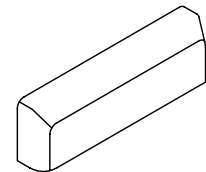


211-948 Lock
211-949 Key

Claw Handle 2-Point
(non-stocked)



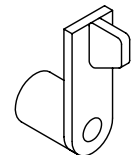
Drain Cap



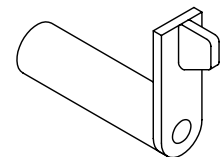
9903-920

Screen Clips

211-981 Open-Out



211-982 Open-In



SERIES 211 VENT HARDWARE