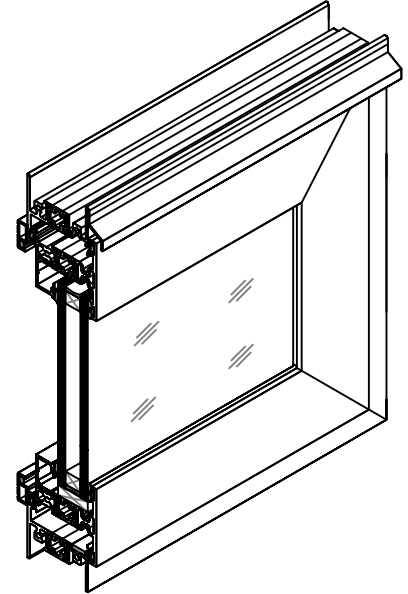


## TECHNICAL DATA

### SERIES 211 T. B. OPERABLE WINDOW



- DESCRIPTION: THERMALLY BROKEN OPERABLE/FIXED WINDOW SYSTEM. THE 211 SERIES IS AVAILABLE IN CASEMENTS OR PROJECTED VENTS.
- COMPATIBILITY: GLAZED INTO ALL COMMDOOR ALUMINUM'S CURTAIN WALL AND FRAMING SYSTEMS.
- FINISH: ALL PROFILES ARE STOCKED IN #17 CLEAR AND #40 BRONZE ANODIZED. OTHER ANODIZED AND PAINT FINISHES ARE AVAILABLE UPON REQUEST. DIFFERENT FINISHES EXTERIOR AND INTERIOR ARE AVAILABLE.
- STOCK LENGTH: FABRICATED PRODUCT ONLY.
- ASSEMBLY: DESIGNED FOR SCREW PORT ASSEMBLY WITH FLUSH CORNER JOINTS.
- STRENGTH: REFER TO WIND LOAD CHARTS FOR MAXIMUM ALLOWABLE SPANS, AND MINIMUM/MAXIMUM SIZE LIMITATION.
- ANCHORING: REFER TO FABRICATION AND INSTALLATION MANUAL.
- GLAZING: 211 SERIES IS AN INTERIOR GLAZED SYSTEM AND WILL ACCEPT 15/16" (24mm) SEALED UNIT GLASS.