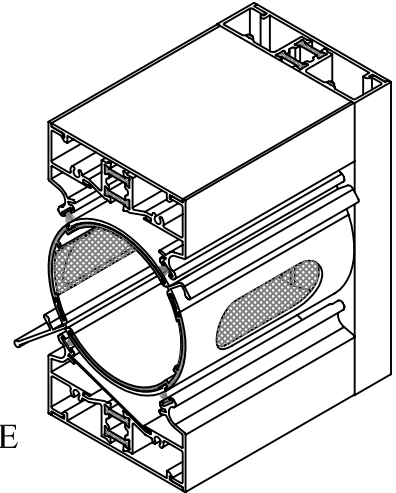


TECHNICAL DATA

SERIES 111 CIRCULATOR VENT



DESCRIPTION: THERMALLY BROKEN OPERABLE CIRCULAR VENT SYSTEM.

COMPATIBILITY: GLAZED INTO ALL COMMDOOR ALUMINUM'S CURTAIN WALL AND FRAMING SYSTEMS. MINIMUM DEPTH =5".

FINISH: ALL PROFILES ARE STOCKED IN #17 CLEAR AND #40 BRONZE ANODIZED. OTHER ANODIZED AND PAINT FINISHES ARE AVAILABLE UPON REQUEST. DIFFERENT FINISHES EXTERIOR AND INTERIOR ARE AVAILABLE.

STOCK LENGTH: FABRICATED PRODUCT ONLY.

ASSEMBLY: DESIGNED FOR SCREW PORT ASSEMBLY WITH FLUSH CORNER JOINTS.

STRENGTH: REFER TO WIND LOAD CHARTS FOR MAXIMUM ALLOWABLE SPANS, AND MINIMUM/MAXIMUM SIZE LIMITATION.