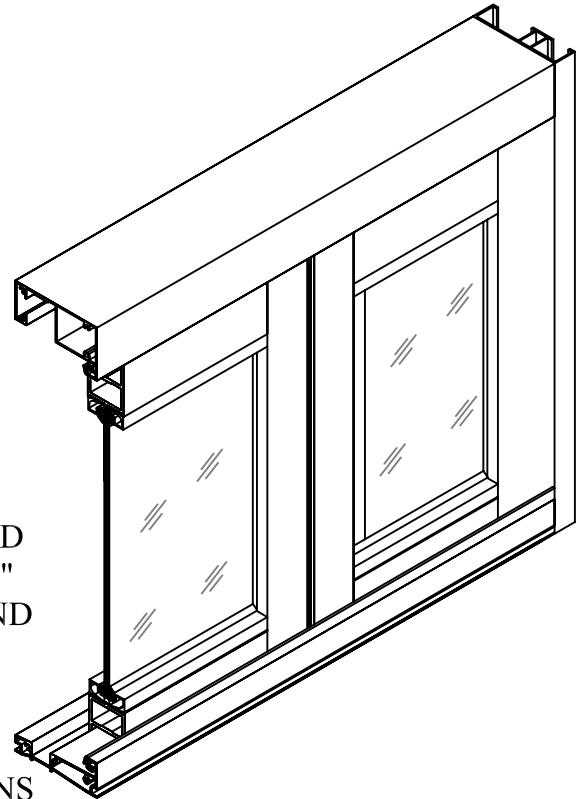


## TECHNICAL DATA

### SERIES 1780 BI-FOLD DOOR



DESCRIPTION: 1780 SERIES IS A BI-FOLD DOOR SYSTEM USING 2" (50.8mm) STILES. TOP AND BOTTOM RAIL SHALL BE 2-1/4" HIGH.

FINISH: ALUMINUM EXTRUSIONS STOCKED IN #17 CLEAR AND #40 BRONZE ANODIZED. OTHER FINISHES ARE AVAILABLE UPON REQUEST.

LIMITATIONS: 1780 SERIES IS DESIGNED TO BE TOP HUNGED ON TRACK USING ONE ROLLER. EACH ROLLER HAS WEIGHT LIMITATION OF 155 LBS. THEREFORE EACH PANEL SHOULD NOT EXCEED 155 LBS INCLUDING GLASS AND HARDWARE. PANELS ARE ATTACHED TO EACH OTHER USING STANDARD BUTT HINGES.

ASSEMBLY: WELDED CORNER BRACKET ASSEMBLY.

GLAZING: SERIES 1780 DOORS WILL ACCEPT 3/16" (5mm) OR 3/8" (10mm) SINGLE GLASS AND 29/32" (23mm) SEALED UNIT.