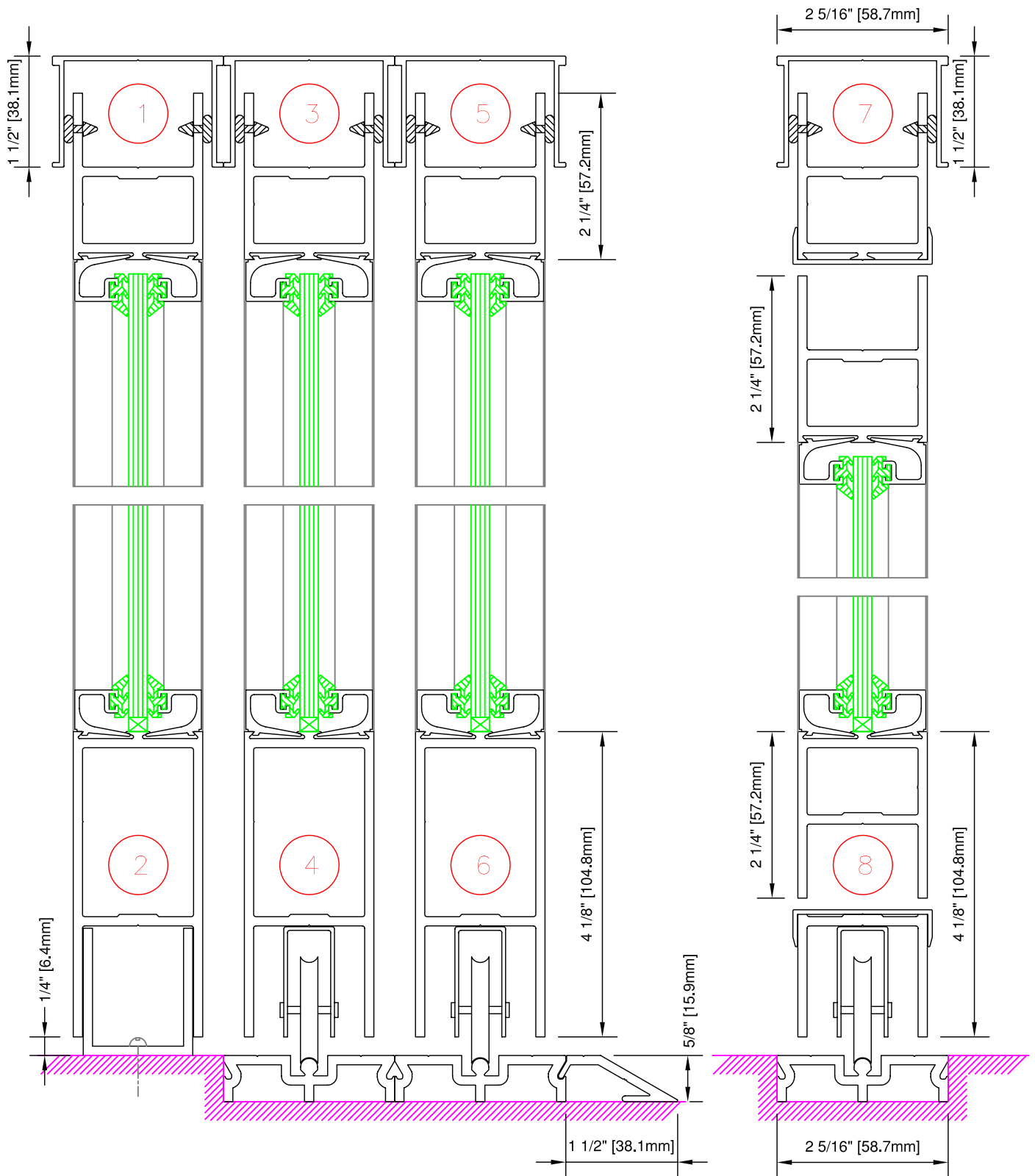
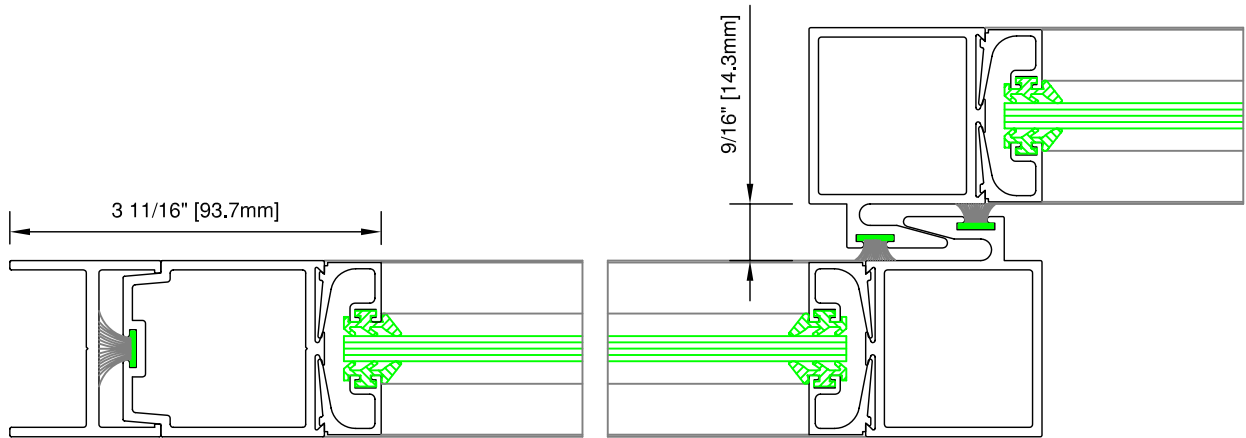


TYPICAL ELEVATIONS

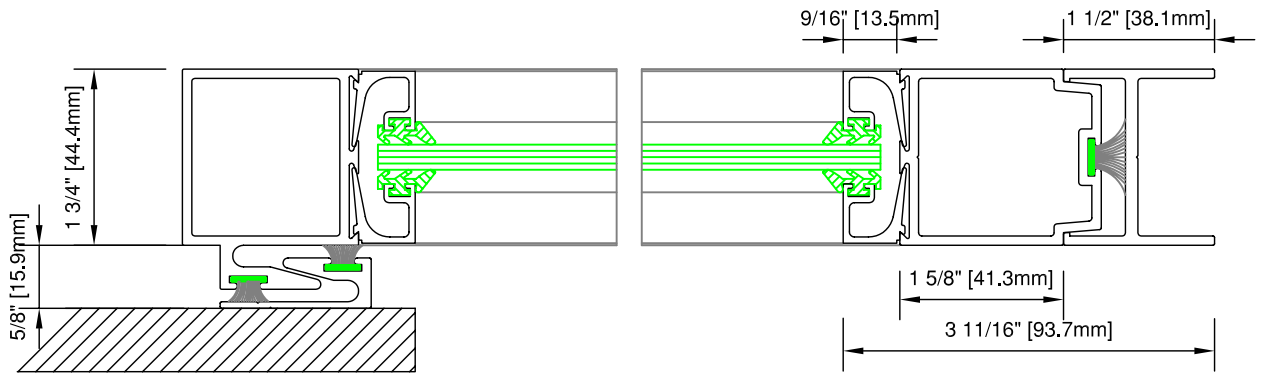


TYPICAL DETAILS



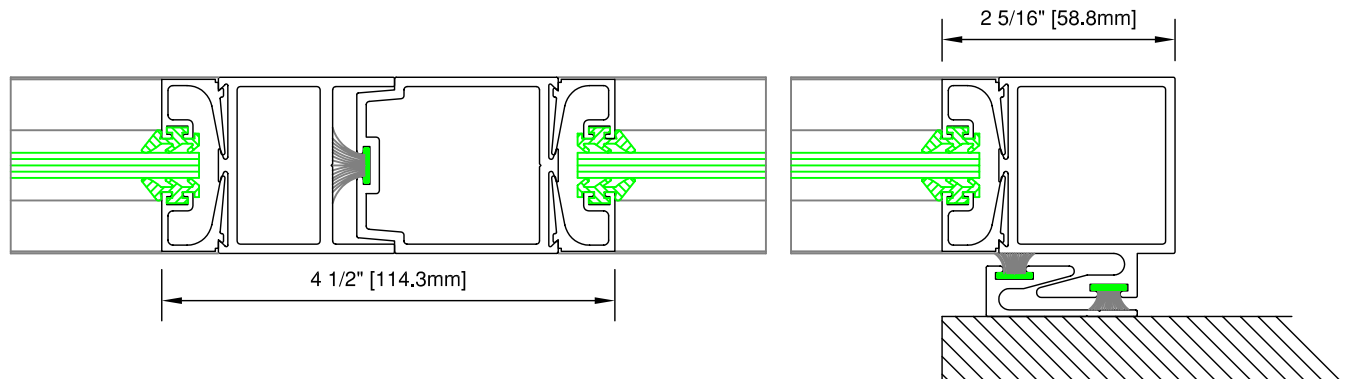
9

10



12

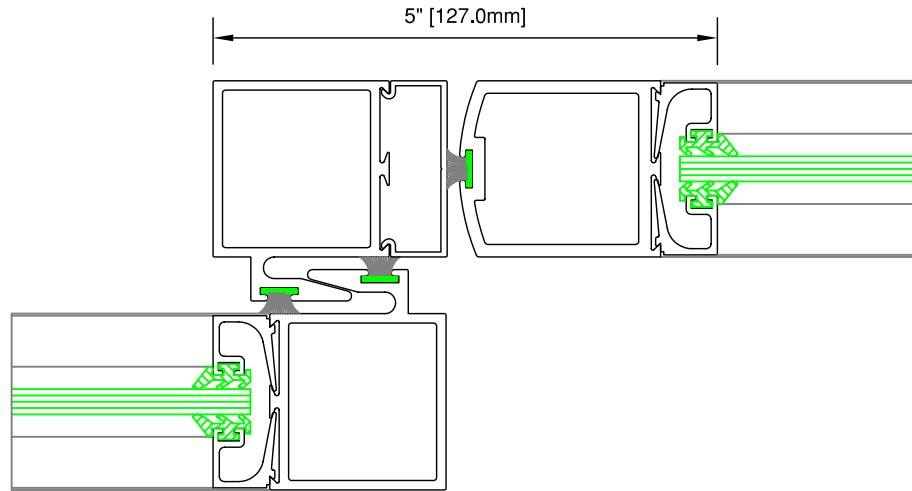
11



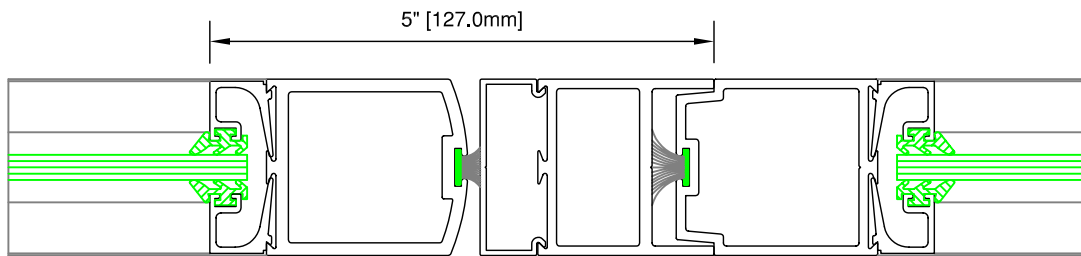
13

14

TYPICAL DETAILS



15



16

TYPICAL DETAILS