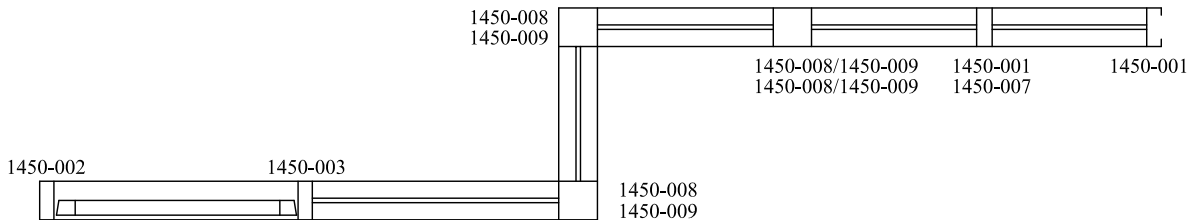
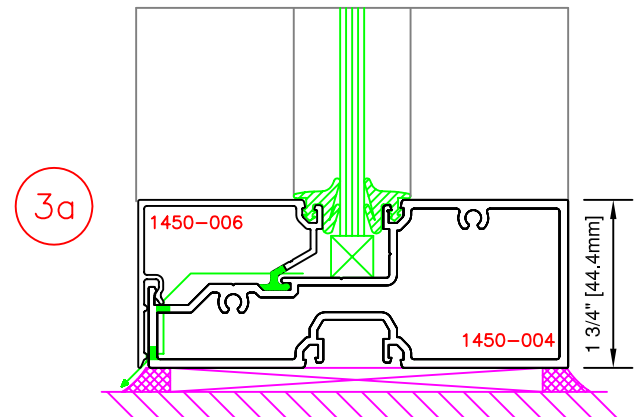
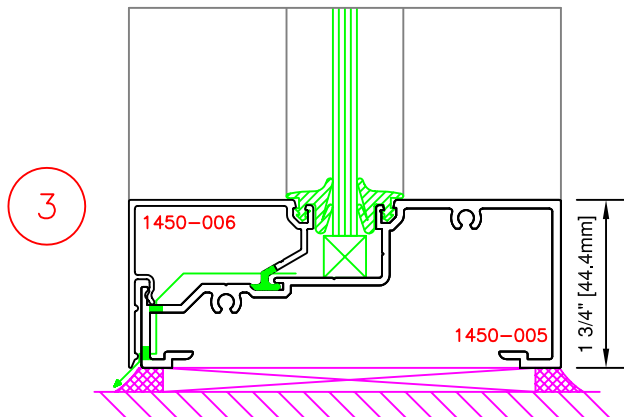
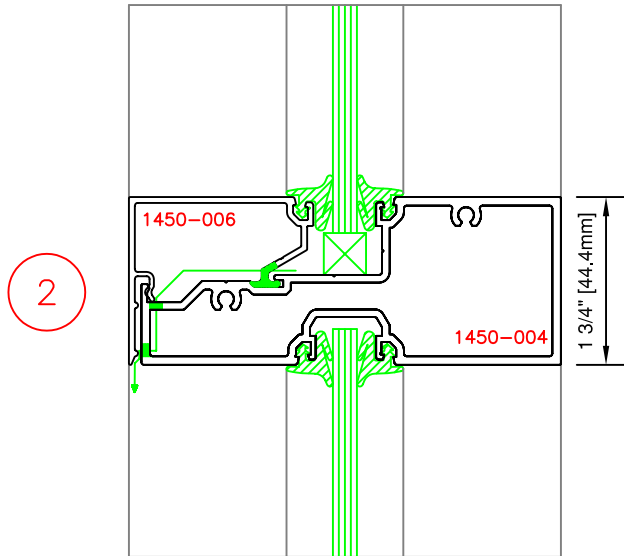
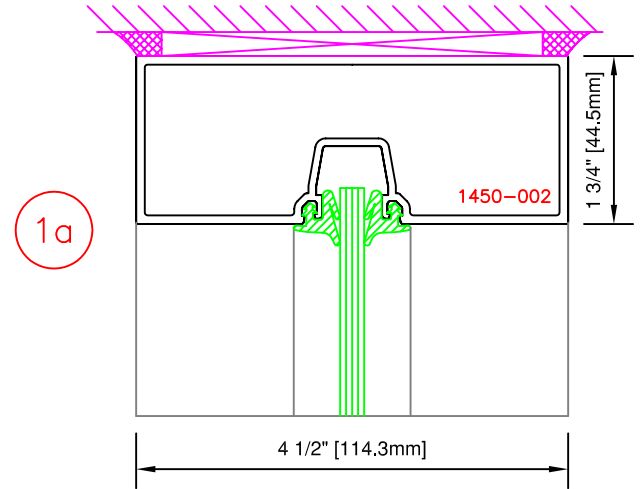
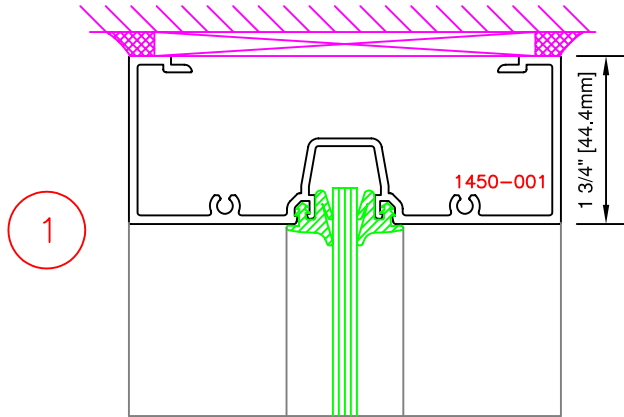


ELEVATION



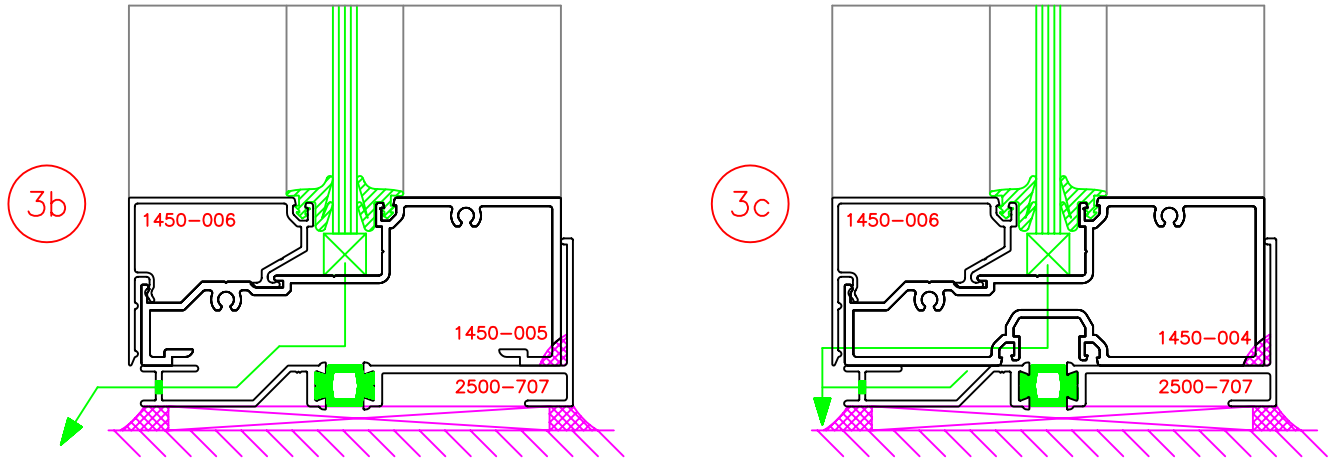
PLAN

**TYPICAL ELEVATION & PLAN VIEW**



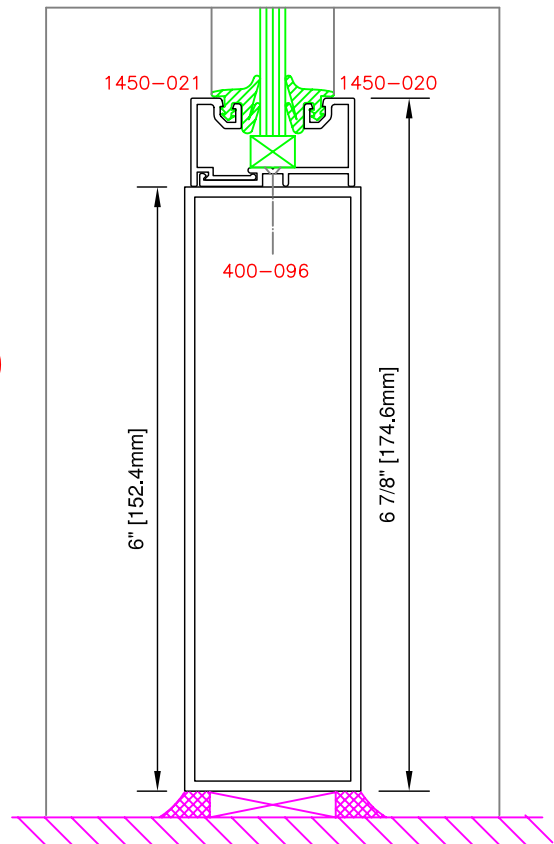
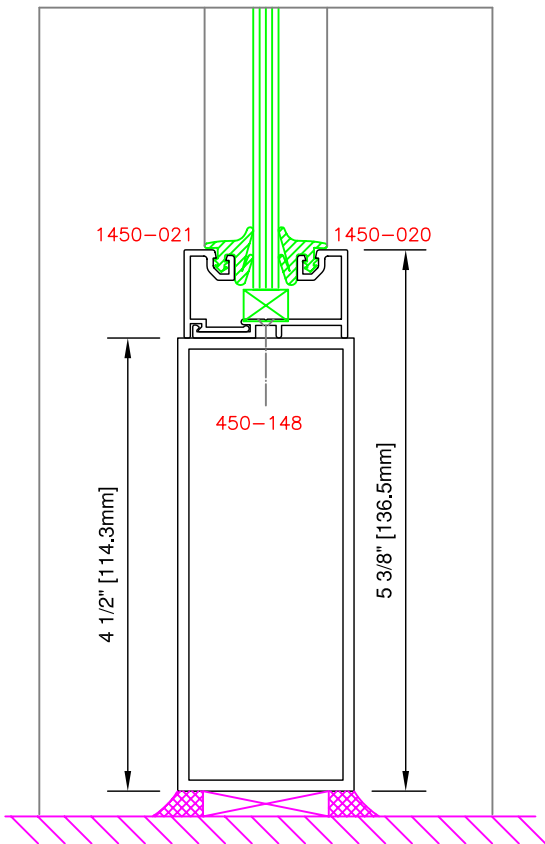
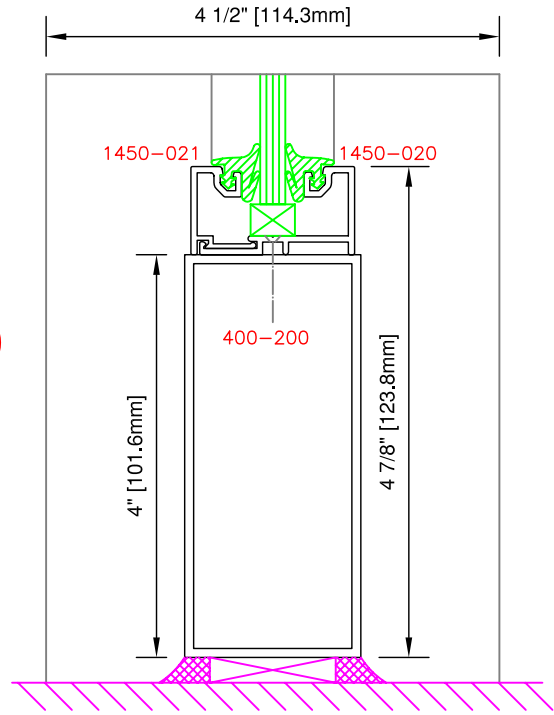
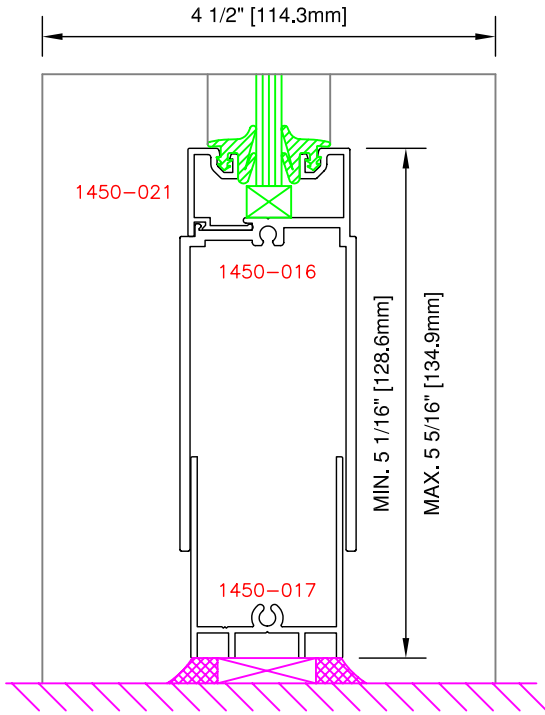
GLAZED FROM THE EXTERIOR

**TYPICAL DETAILS**



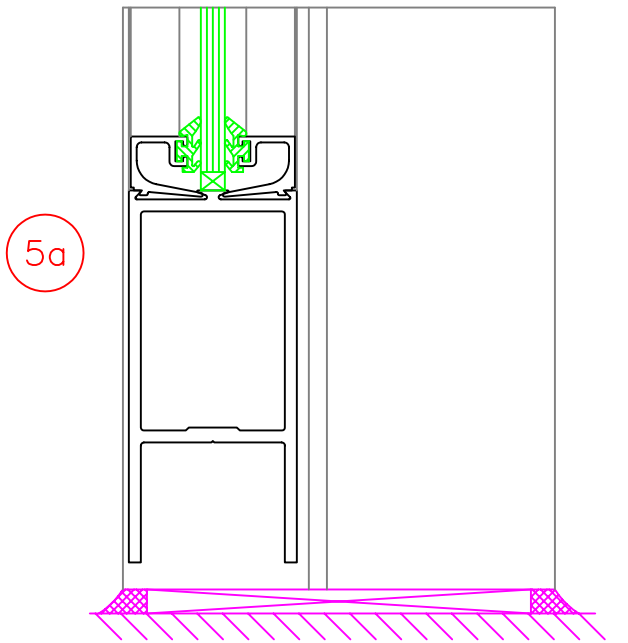
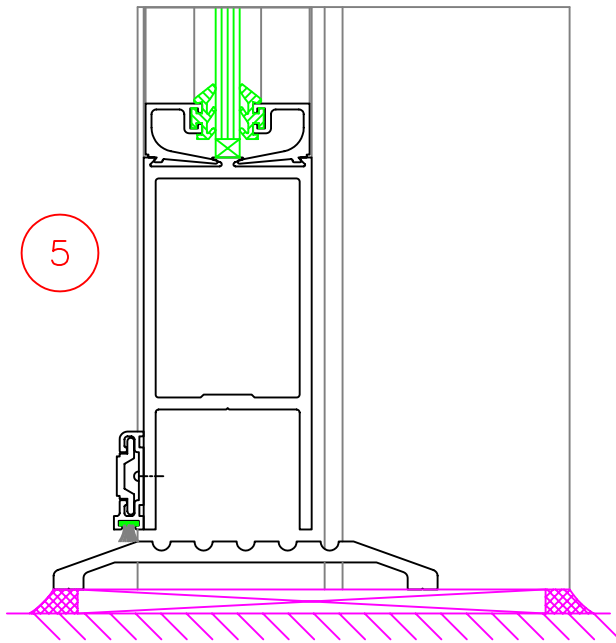
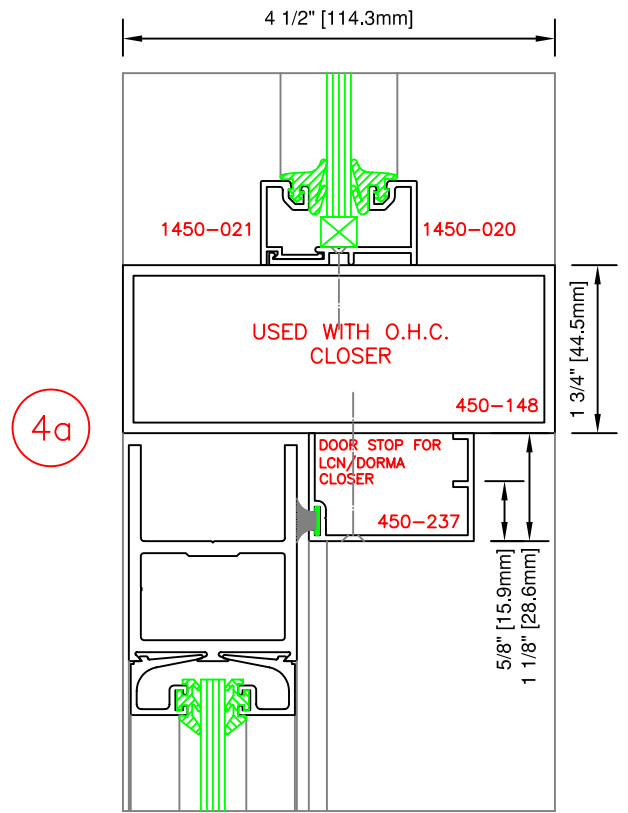
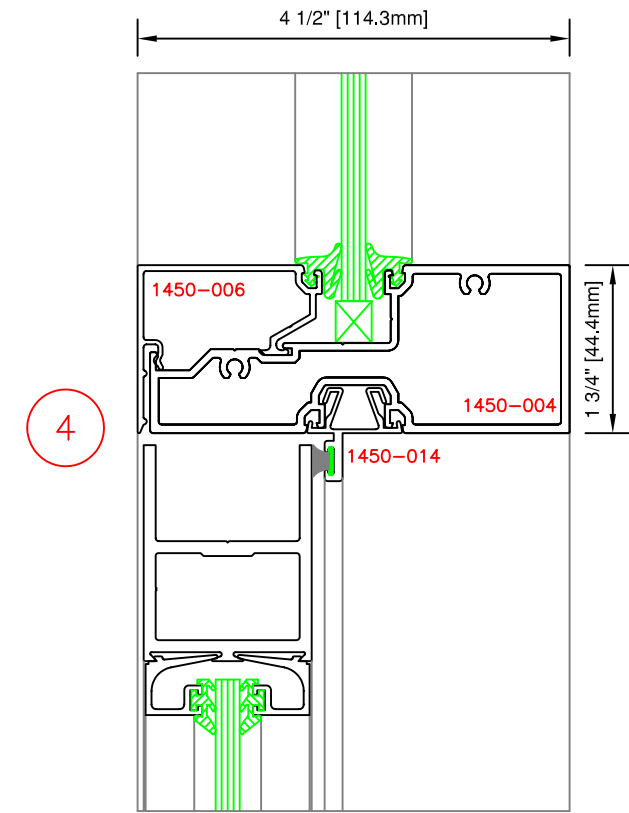
GLAZED FROM THE EXTERIOR

**TYPICAL DETAILS**



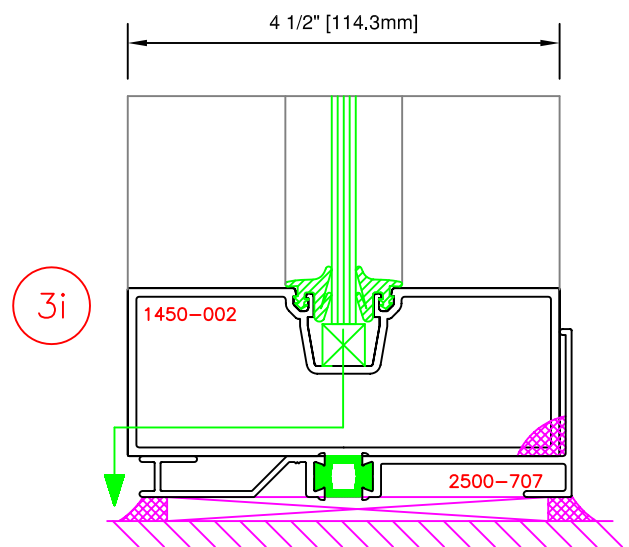
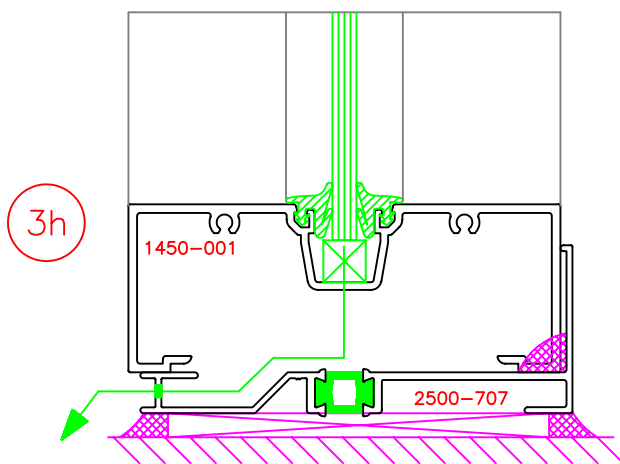
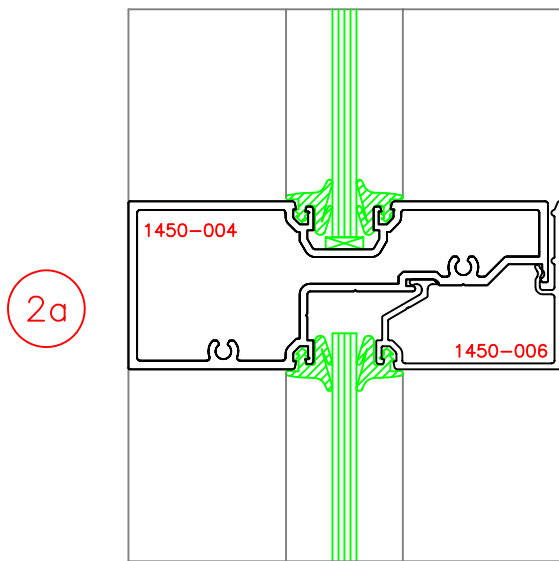
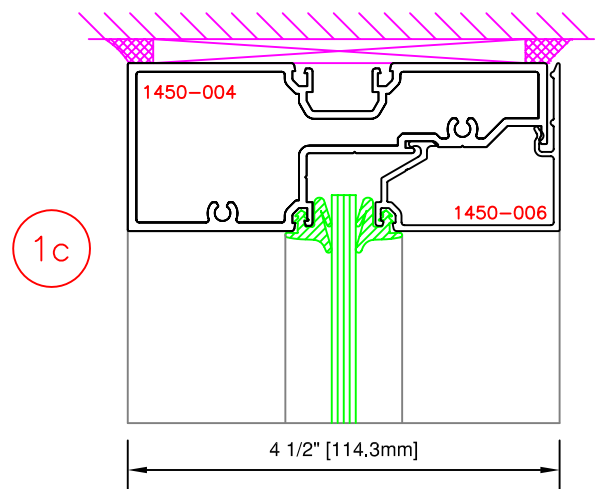
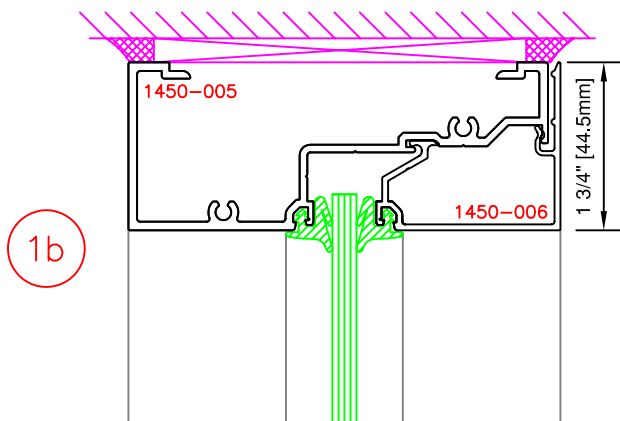
GLAZED FROM THE EXTERIOR

**TYPICAL DETAILS**



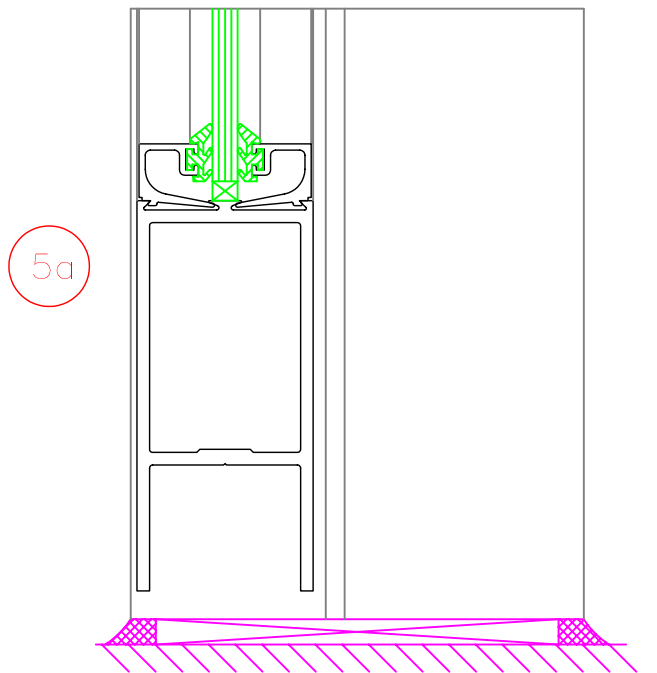
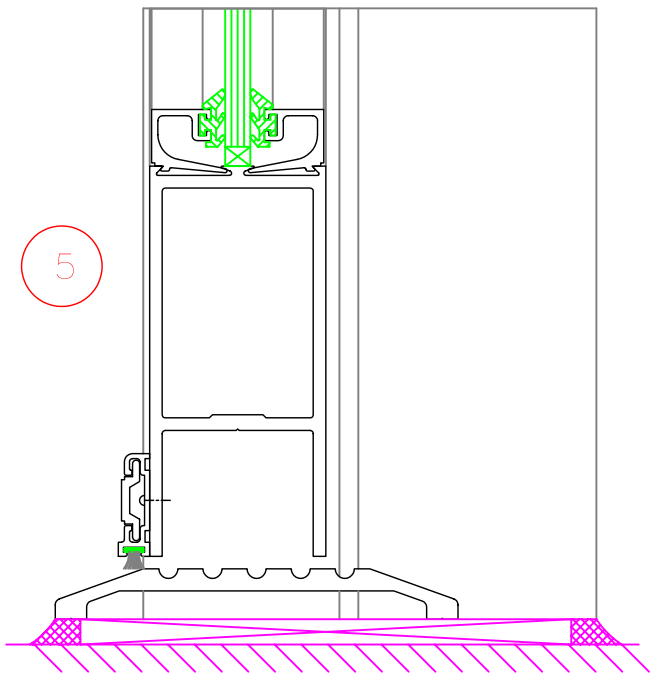
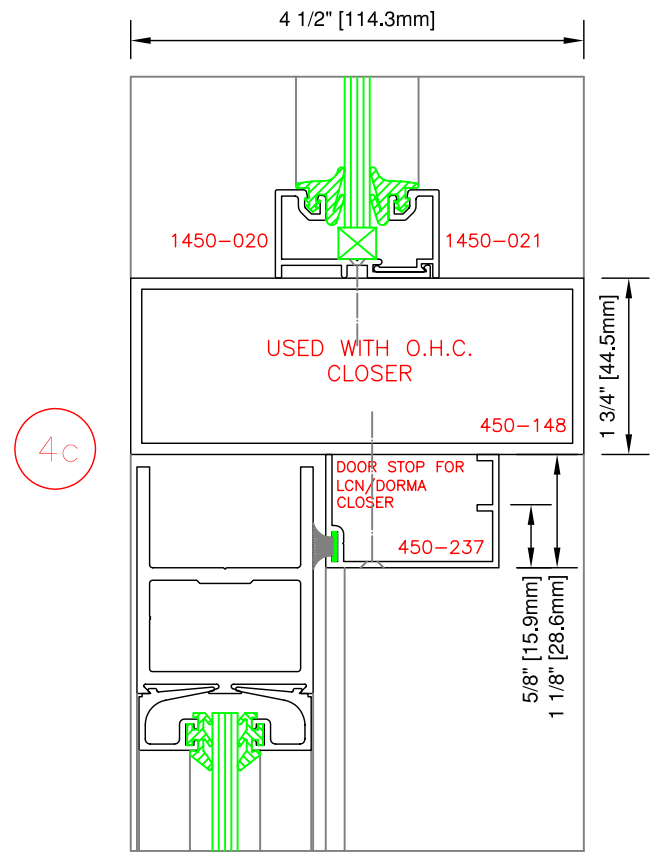
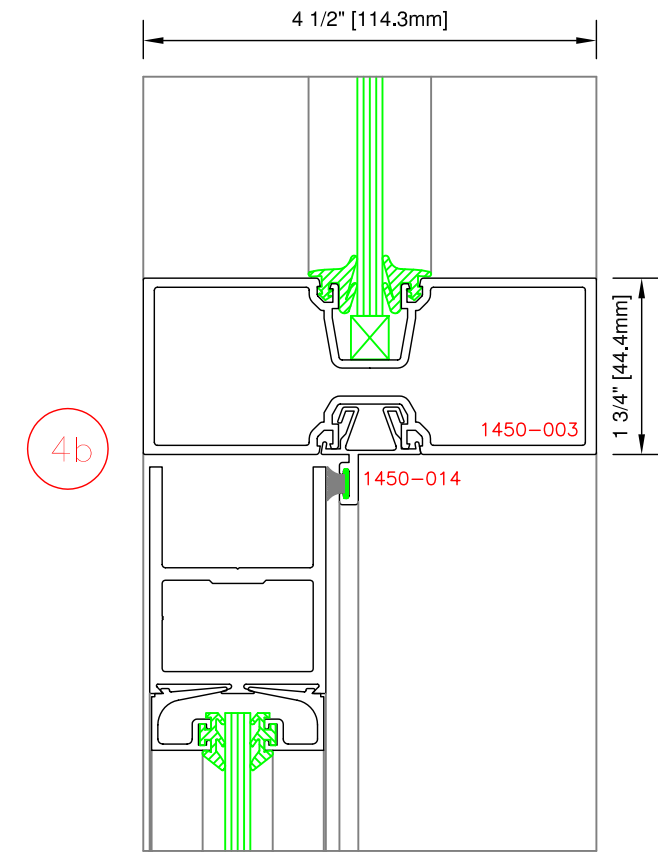
GLAZED FROM THE EXTERIOR

**TYPICAL DETAILS**



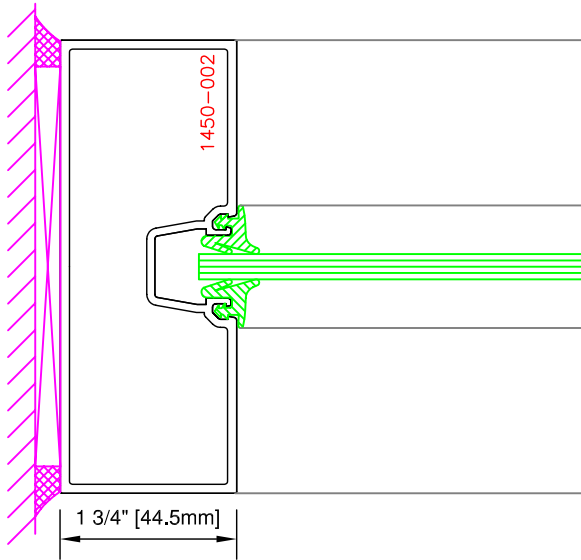
GLAZED FROM THE INTERIOR

**TYPICAL DETAILS**

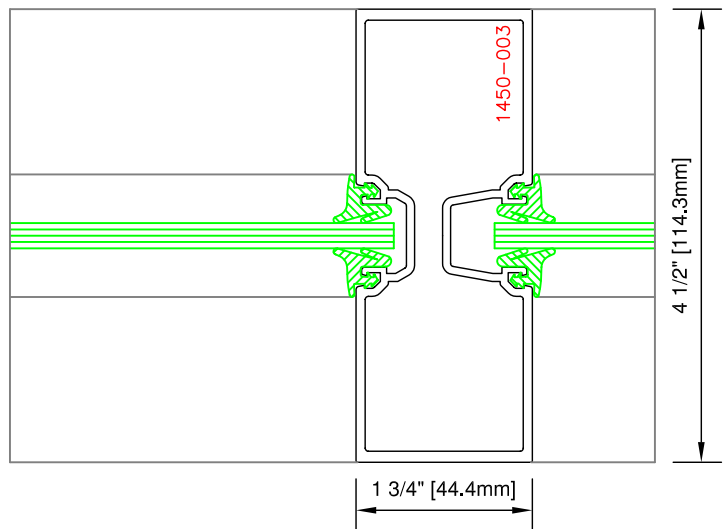


GLAZED FROM THE INTERIOR

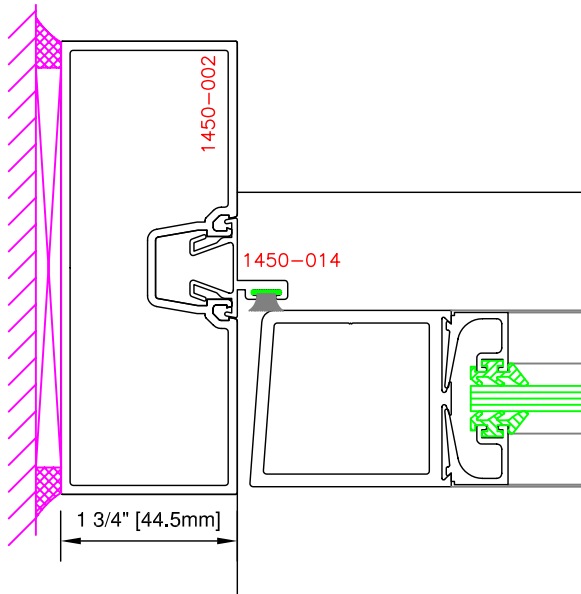
**TYPICAL DETAILS**



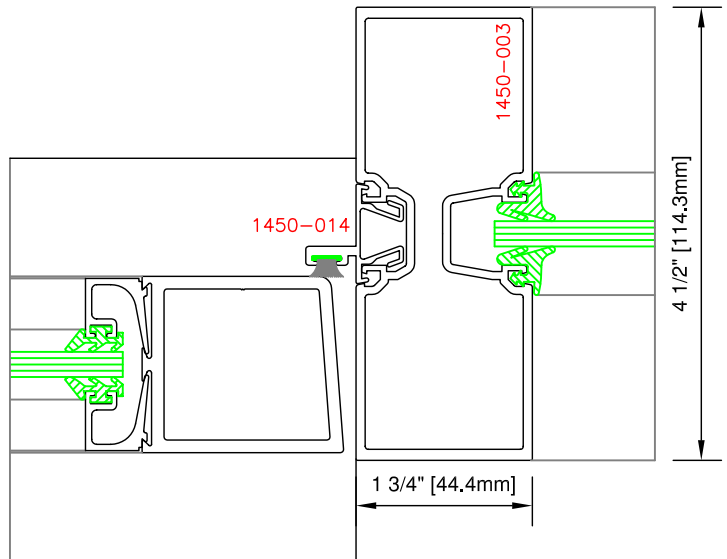
6



7



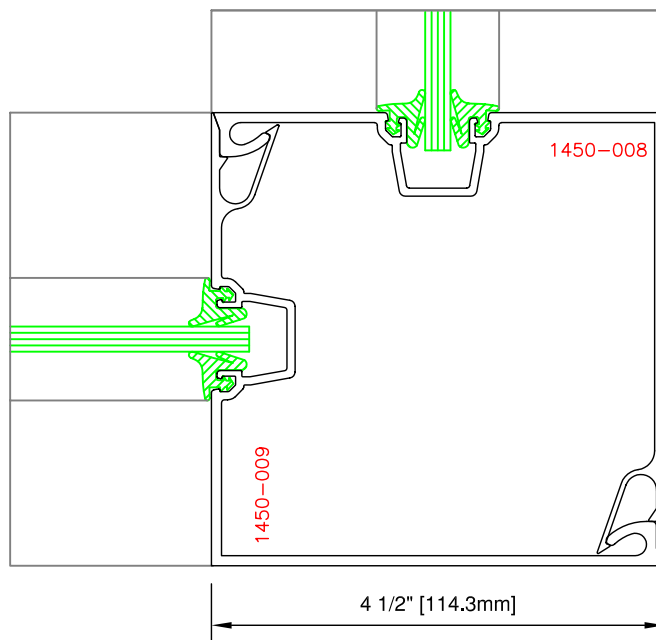
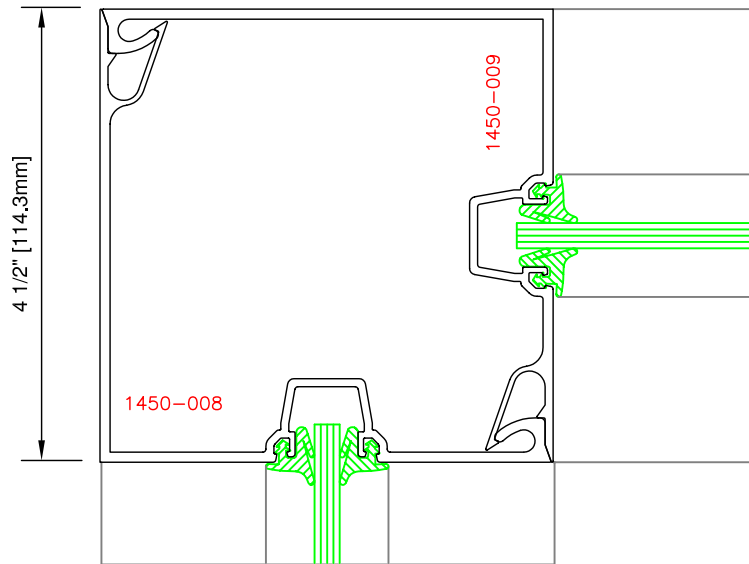
8



9

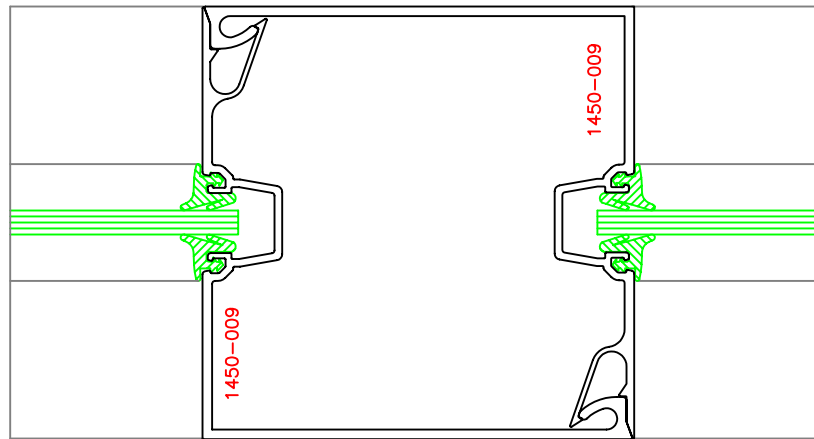
**TYPICAL DETAILS**

11



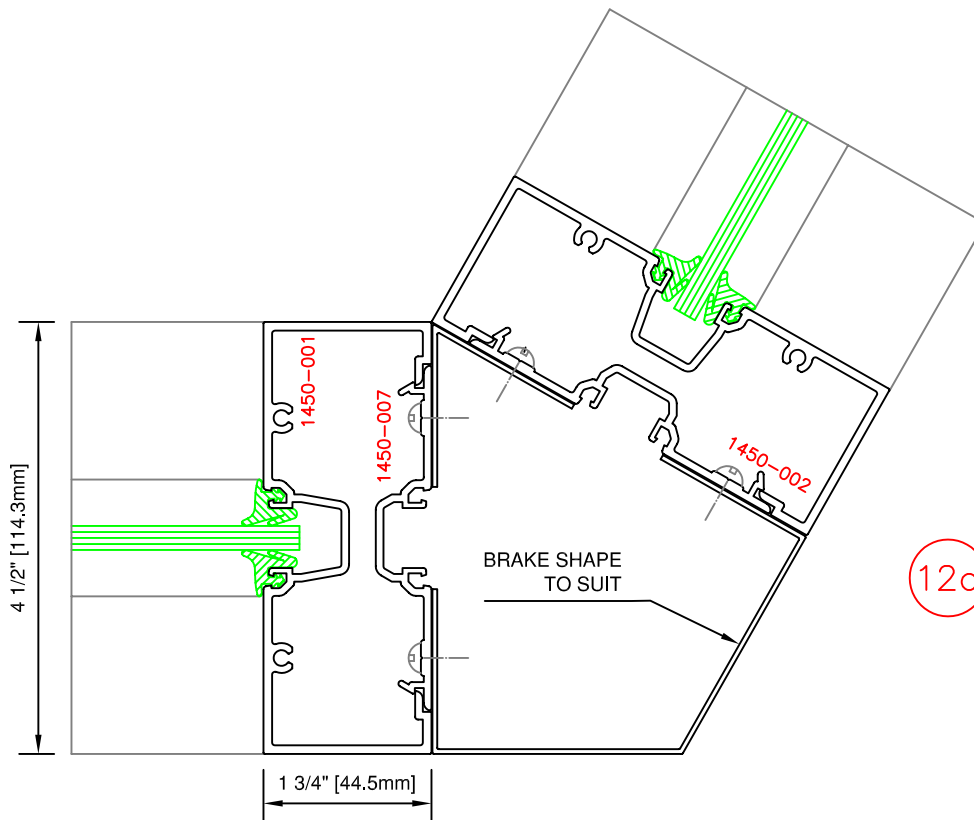
10

**TYPICAL DETAILS**

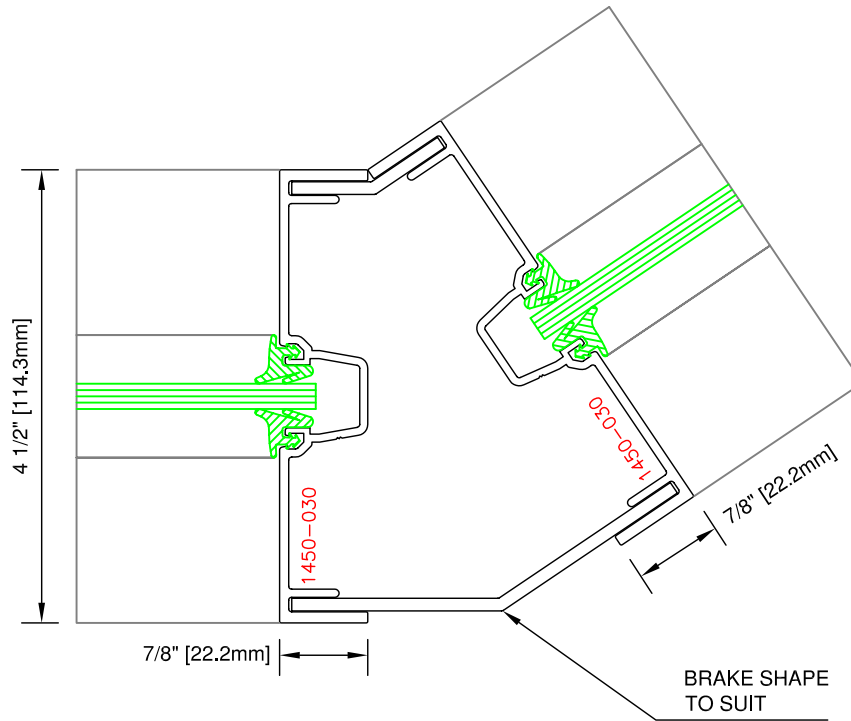


NOTE: FOR AVAILABILITY USE 2 pcs. OF 1450-008

12

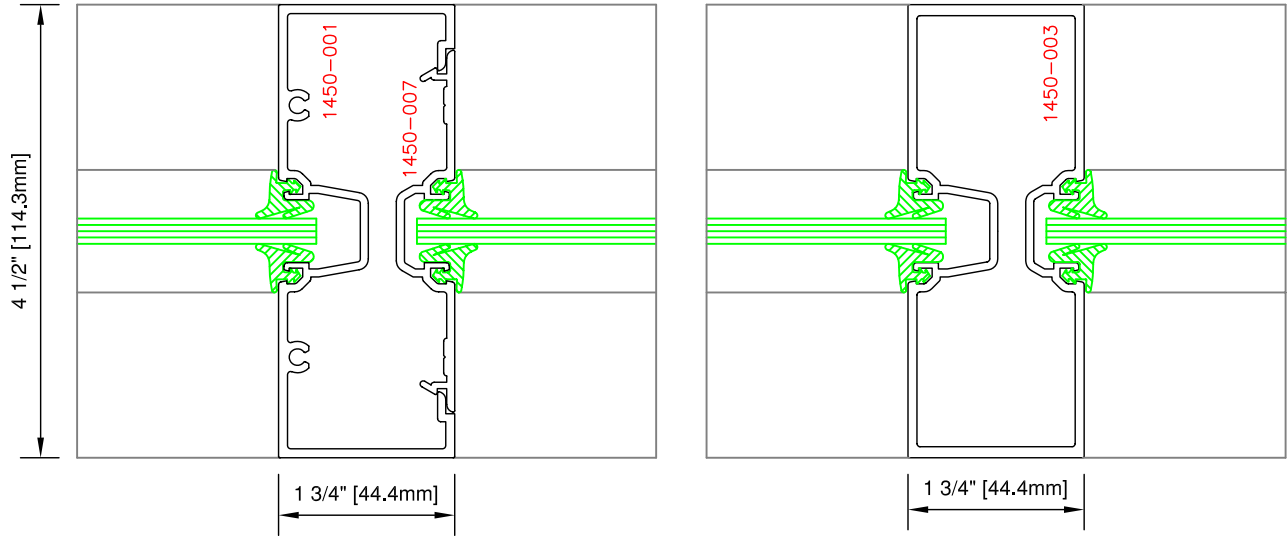


**TYPICAL DETAILS**



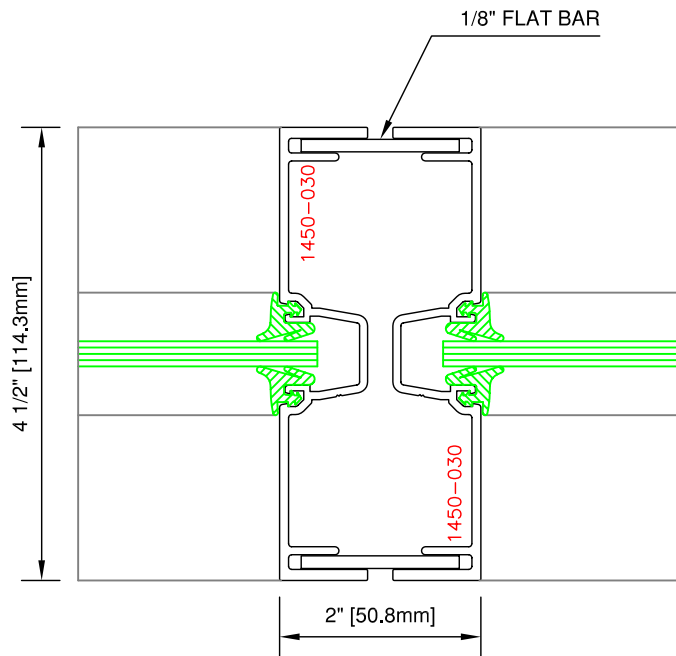
12b

**TYPICAL DETAILS**



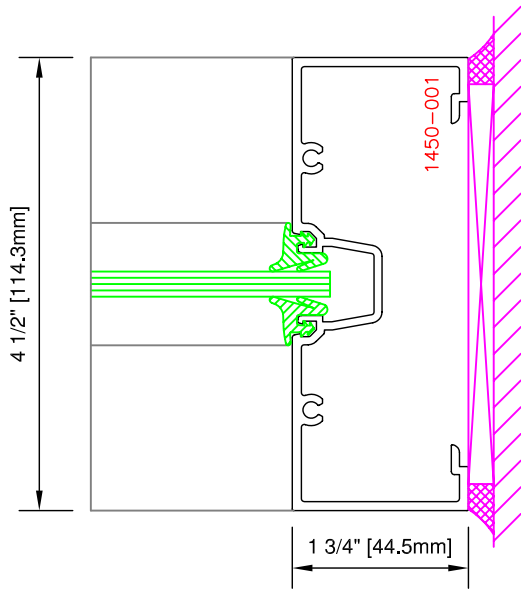
13

13a

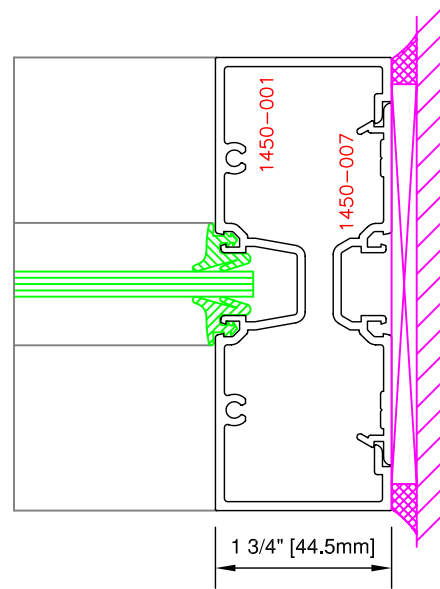


13b

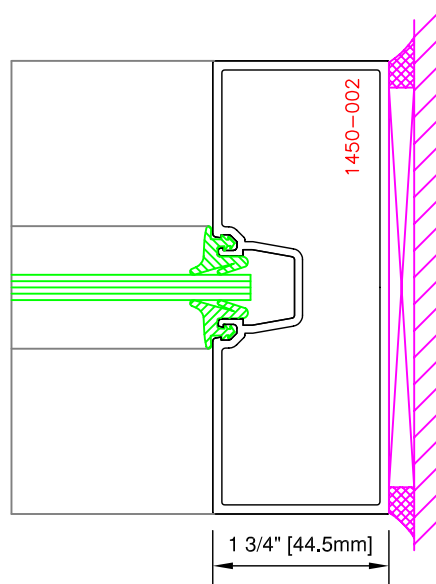
**TYPICAL DETAILS**



14

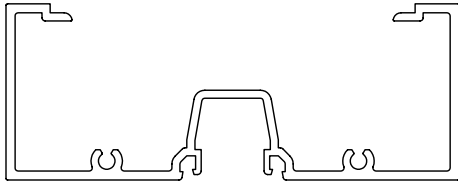


14a



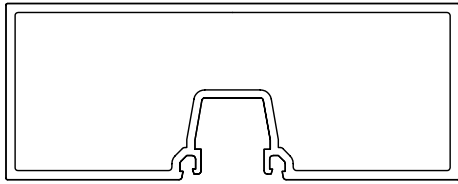
14b

**TYPICAL DETAILS**



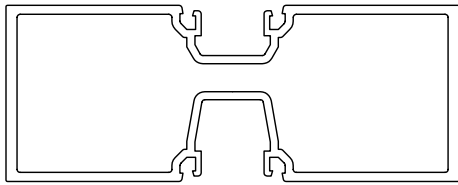
**PART #:** 1450-001  
**OPEN BACK ONE POCKET**  
1-3/4" X 4-1/2"  
(44.5mm X 114.3mm)

[WIND LOAD CHART](#)



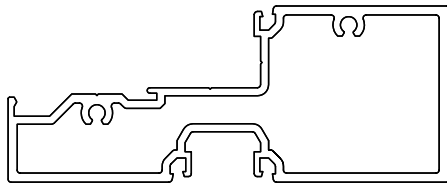
**PART #:** 1450-002  
**CLOSED BACK ONE POCKET**  
1-3/4" X 4-1/2"  
(44.5mm X 114.3mm)

[WIND LOAD CHART](#)

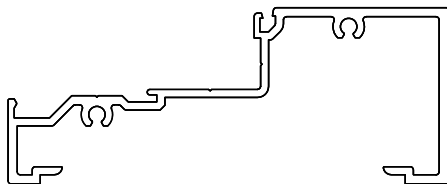


**PART #:** 1450-003  
**MULLION TWO POCKET**  
1-3/4" X 4-1/2"  
(44.5mm X 114.3mm)

[WIND LOAD CHART](#)

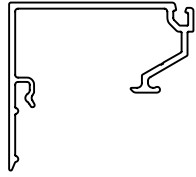


**PART #:** 1450-004  
**CLOSED BACK SILL**  
1-3/4" X 4-1/2"  
(44.5mm X 114.3mm)

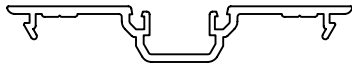


**PART #:** 1450-005  
**OPEN BACK SILL**  
1-3/4" X 4-1/2"  
(44.5mm X 114.3mm)

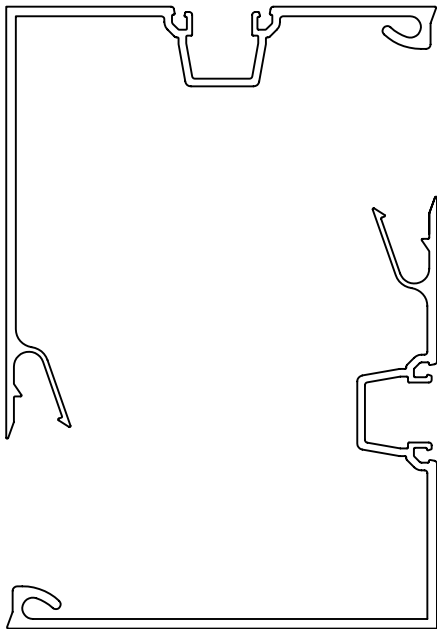
## SYSTEM COMPONENTS



PART #: 1450-006  
GLASS STOP  
FOR PART #:  
1450-004 & 1450-005

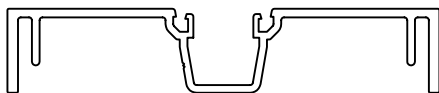


PART #: 1450-007  
GLAZING ADAPTOR  
FOR PART #:  
1450-001 & 1450-005



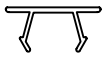
PART #: 1450-008  
MULLION CORNER HALF  
(MALE) 4-1/2" X 4-1/2"  
(114.3mm X 114.3mm)

PART #: 1450-009  
MULLION CORNER HALF  
(FEMALE) 4-1/2" X 4-1/2"  
(114.3mm X 114.3mm)

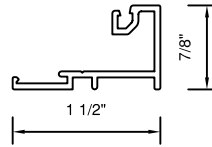


PART #: 1450-030  
EXPANSION JOINT HALF  
7/8" X 4-1/2"  
(22.2mm X 114.3mm)

## SYSTEM COMPONENTS



PART #: 1450-013  
POCKET FILLER



PART #: 1450-020  
GLASS STOP BASE  
FOR 1/4" (6mm) GLASS



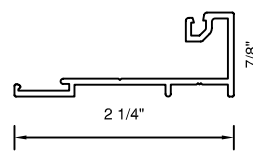
PART #: 1450-014  
DOOR STOP  
FOR 1-3/4" (44.5mm)  
THICK DOOR



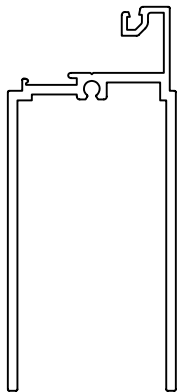
PART #: 1450-021  
SNAP ON GLASS STOP  
FOR PART #: 1450-016,  
1450-020 & 1450-022



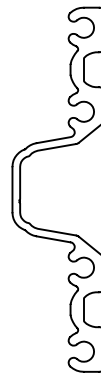
PART #: 1450-015  
DOOR STOP  
FOR 2" (50.8mm)  
THICK DOOR



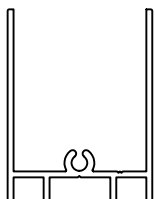
PART #: 1450-022  
GLASS STOP BASE  
FOR 1" (25mm)  
SEALED UNIT



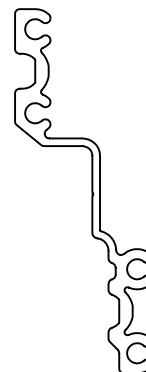
PART #: 1450-016  
UPPER SIDELIGHT  
BASE  
USE GLASS STOP  
PART # 1450-021



PART #: 1450-901  
MULLION BRACKET  
TO CONNECT PART #:  
1450-002 & 1450-003  
TO VERTICAL



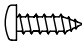
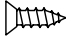
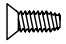


PART #: 1450-017  
LOWER SIDELIGHT  
BASE



PART #: 1450-902  
MULLION BRACKET  
TO CONNECT PART #:  
1450-004 & 1450-005  
TO VERTICAL

**SYSTEM COMPONENTS**

| DRAWING   | DESCRIPTION                                     | APPLICATION   | QTY/<br>JOINT |
|---|---|---|---------------|
|    | PART #: 9902-410<br># 10 X 2"<br>PH SCREW       | TO FASTEN<br>MULLION BRACKET<br>TO VERTICAL           | 3             |
|    | PART #: 9902-404<br># 10 X 1"<br>PH SCREW       | USE FOR<br>SCREW PORT<br>ASSEMBLY                     | 2             |
|  | PART #: 9902-402<br># 10 X 5/8"<br>PH SCREW     | TO FASTEN<br>SIDELIGHT BASE<br>BRACKET<br>TO VERTICAL | 2             |
|  | PART #: 9902-401<br># 10 X 5/8"<br>FH SCREW     | TO FASTEN<br>HORIZONTAL<br>TO BRACKET                 | 2             |
|  | PART #: 9902-600<br># 10-24 X 5/8"<br>FHM SCREW | TO FASTEN<br>HORIZONTAL<br>TO BRACKET                 | 2             |

**SYSTEM FASTENERS**



9903-140



9903-141



9903-142

FOR APPLICATION USE THE FOLLOWING TABLE:

| GLASS THICKNESS | INTERIOR SPLINE | EXTERIOR SPLINE |
|-----------------|-----------------|-----------------|
| 1/8" (3 & 4mm)  | 9903-142        | 9903-142        |
| 3/16" (5mm)     | 9903-142        | 9903-141        |
| 1/4" (6mm)      | 9903-141        | 9903-141        |
| 5/16" (8mm)     | 9903-141        | 9903-140        |
| 3/8" (10mm)     | 9903-140        | 9903-140        |



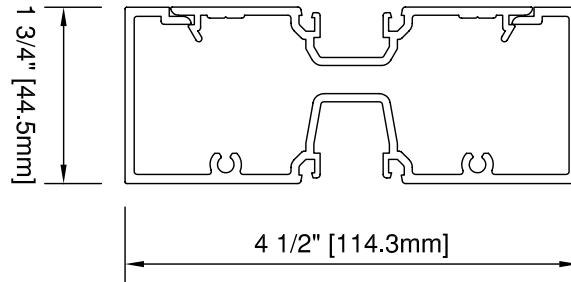
**PART # 9905-001**

WEATHER STRIPPING FOR DOOR STOP

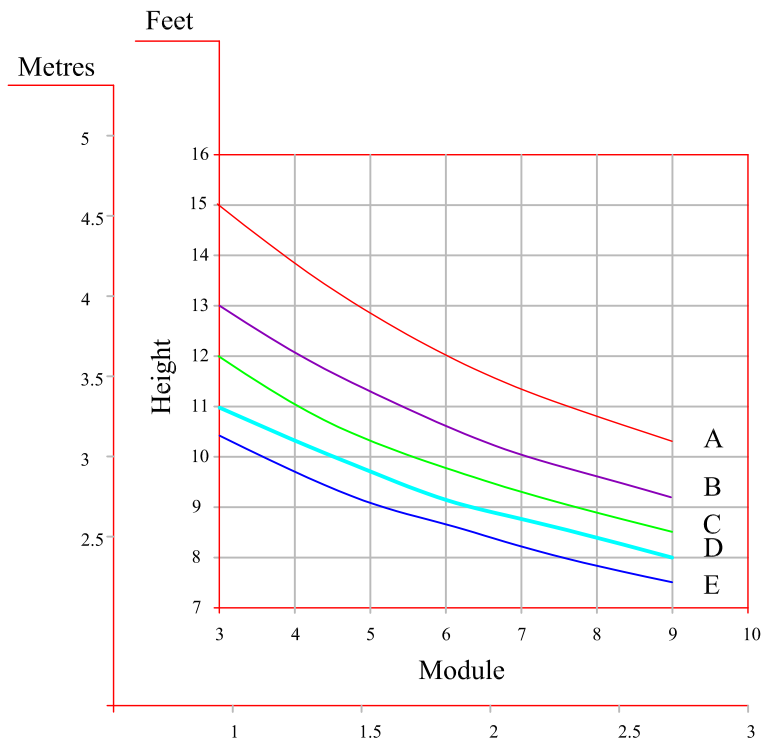
**SYSTEM GLAZING SPLINE AND WEATHERING**

1450-001  
OPEN BACK ONE POCKET  
1-3/4" x 4-1/2"(44.5mm x 114.3mm)

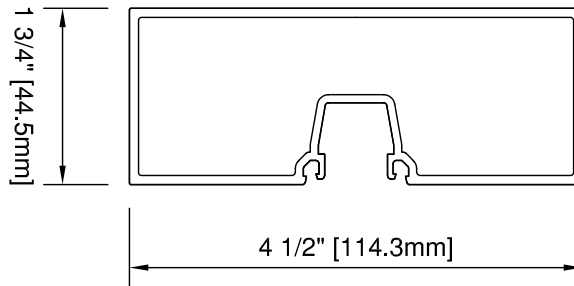
1450-007  
GLAZING ADAPTOR



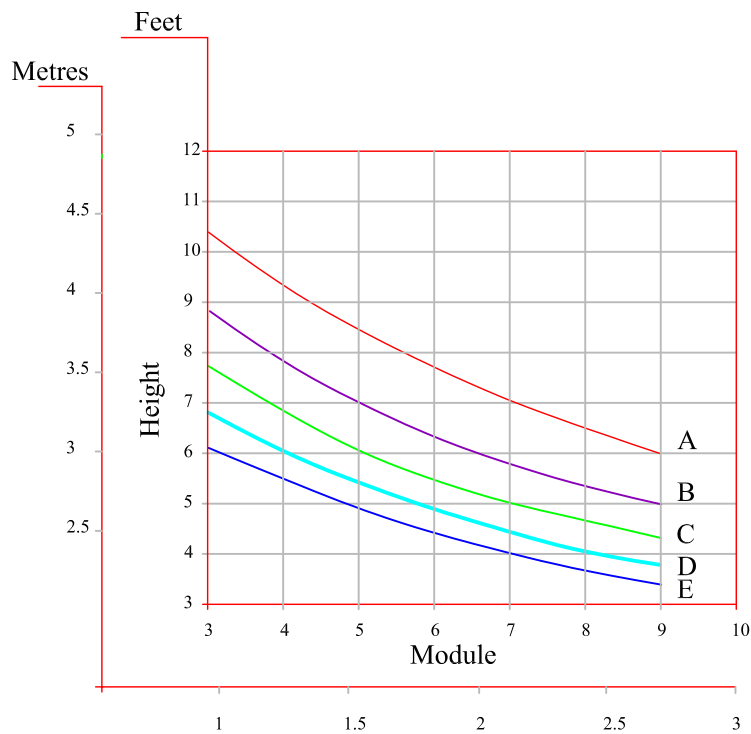
A = 10 psf (0.479 KPa)  
B = 15 psf (0.718 KPa)  
C = 20 psf (0.958 KPa)  
D = 25 psf (1.200 KPa)  
E = 30 psf (1.437 KPa)



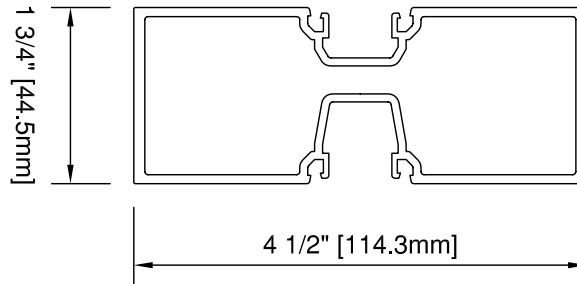
1450-002  
CLOSED BACK ONE POCKET  
1-3/4" x 4-1/2" (44.5mm x 114.3mm)



- A = 10 psf (0.479 KPa)
- B = 15 psf (0.718 KPa)
- C = 20 psf (0.958 KPa)
- D = 25 psf (1.200 KPa)
- E = 30 psf (1.437 KPa)



1450-003  
MULLION TWO POCKET  
1-3/4" x 4-1/2" (44.5mm x 114.3mm)



A = 10 psf (0.479 KPa)  
B = 15 psf (0.718 KPa)  
C = 20 psf (0.958 KPa)  
D = 25 psf (1.200 KPa)  
E = 30 psf (1.437 KPa)

