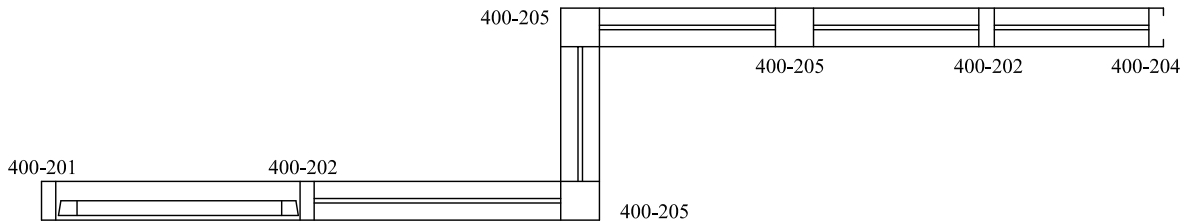
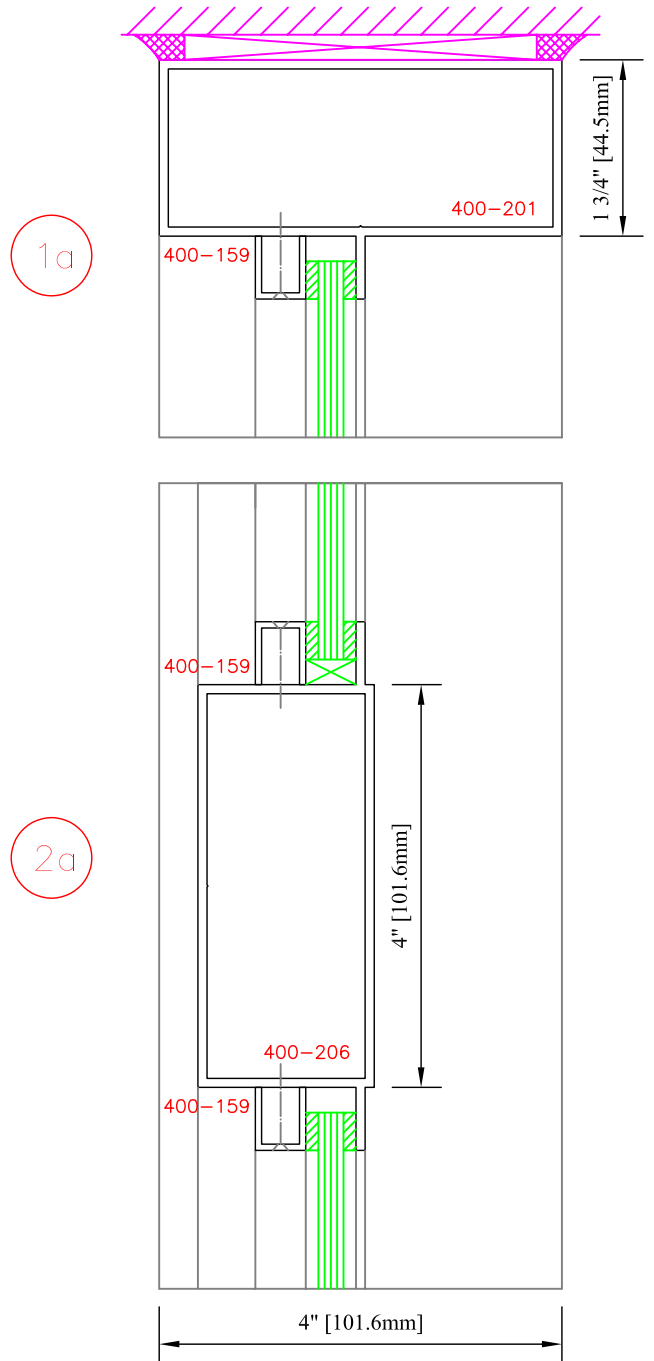
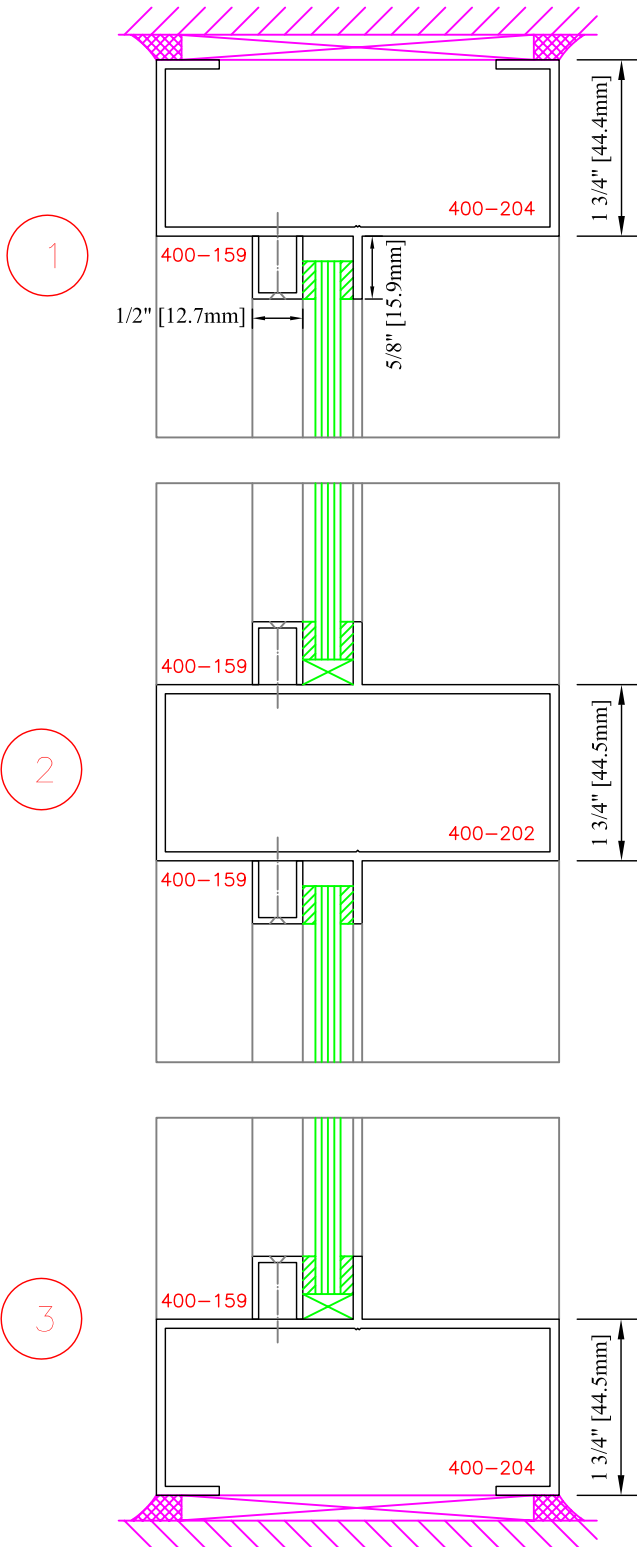


ELEVATION

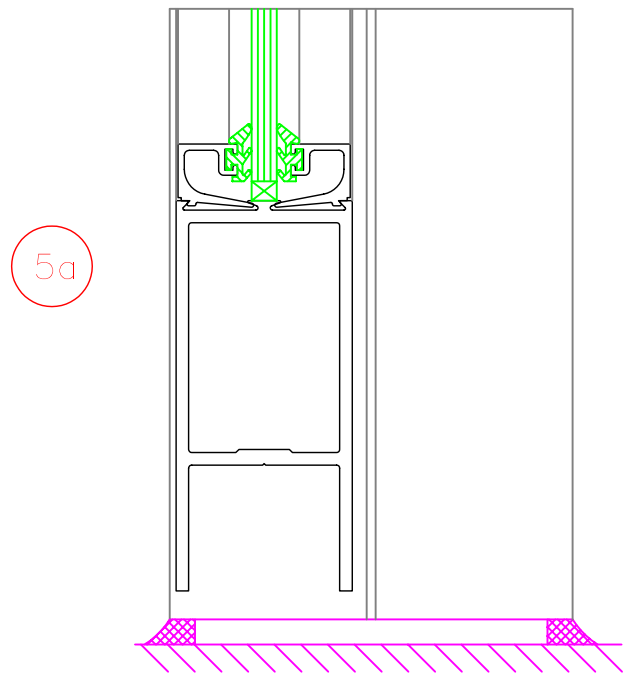
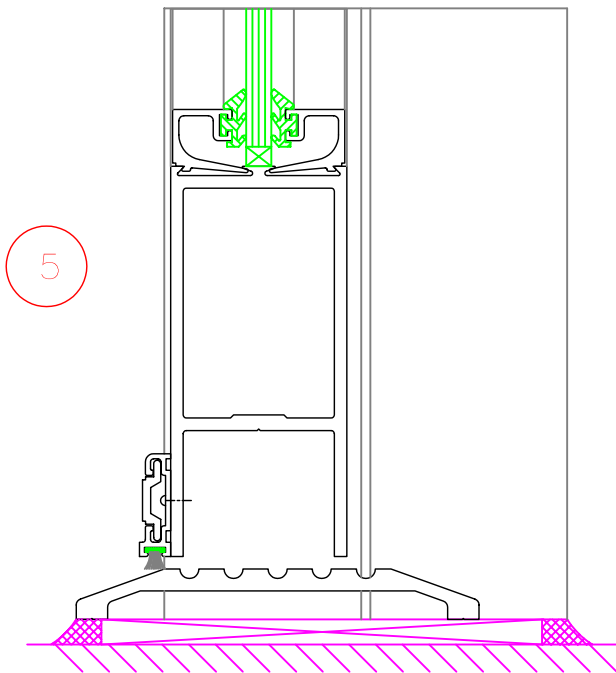
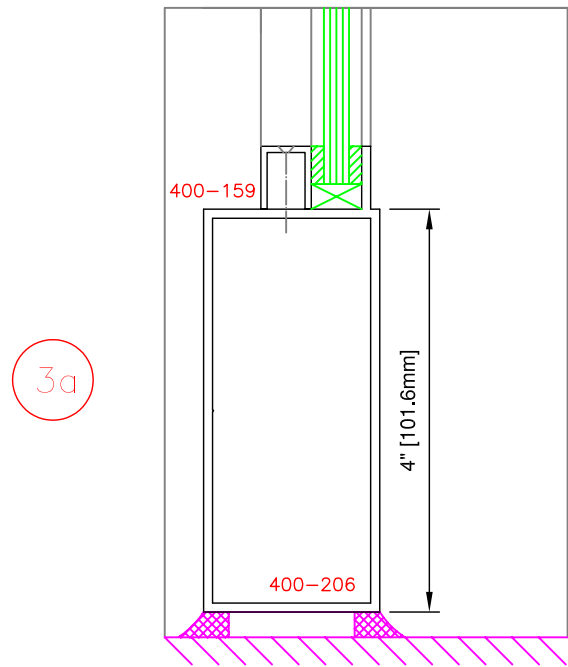
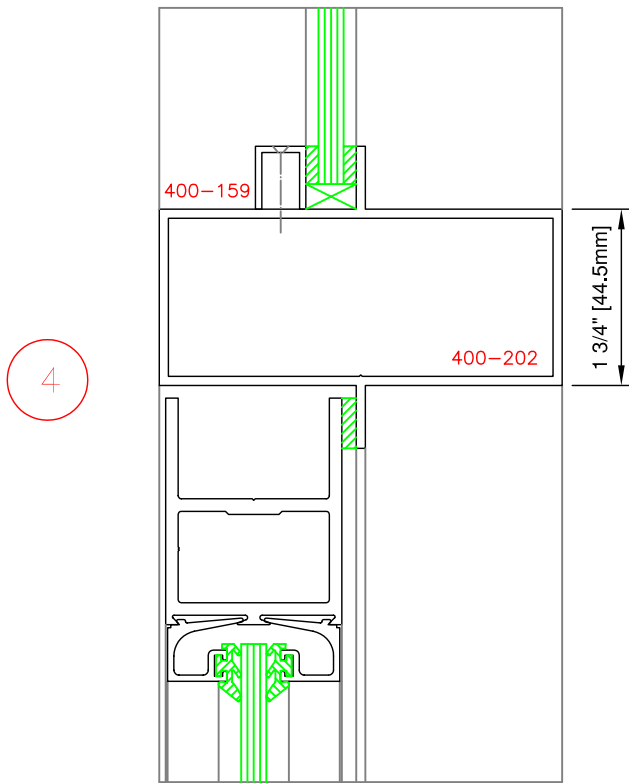


PLAN

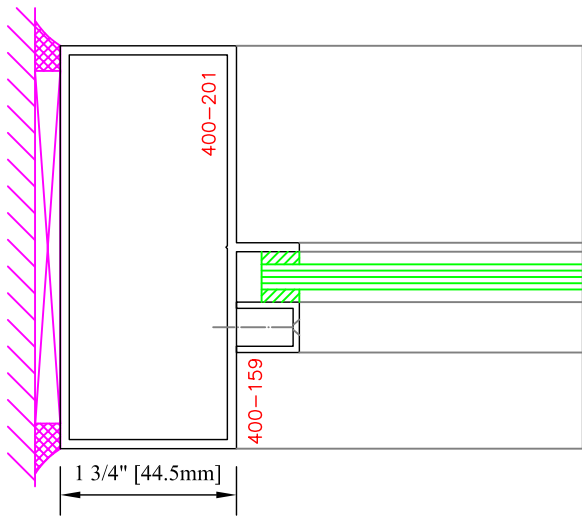
**TYPICAL ELEVATION & PLAN VIEW**



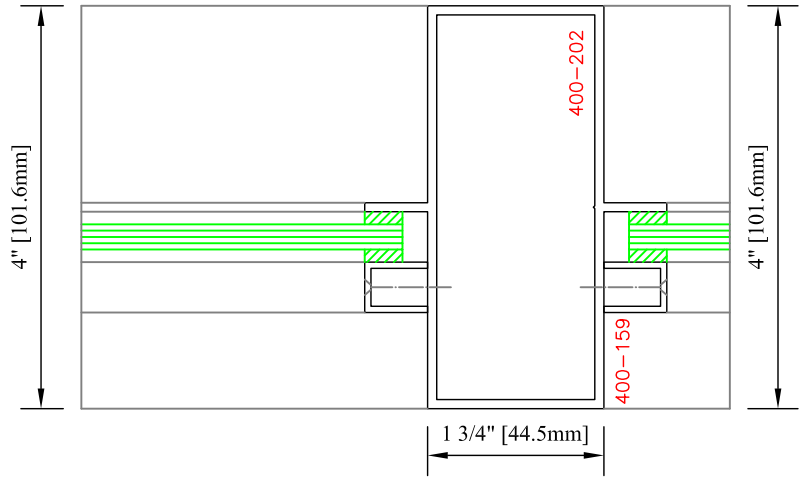
**TYPICAL DETAILS**



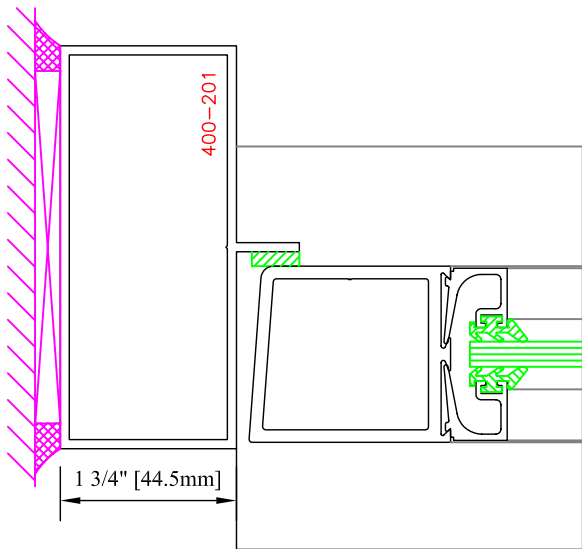
**TYPICAL DETAILS**



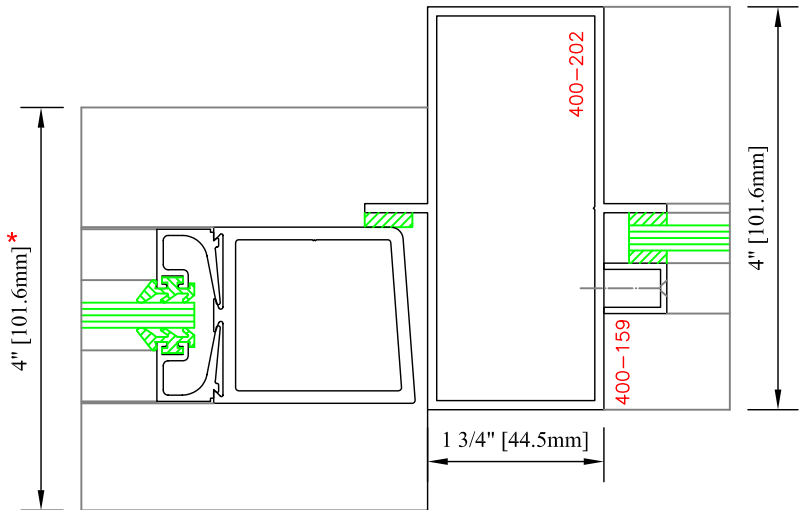
6



7



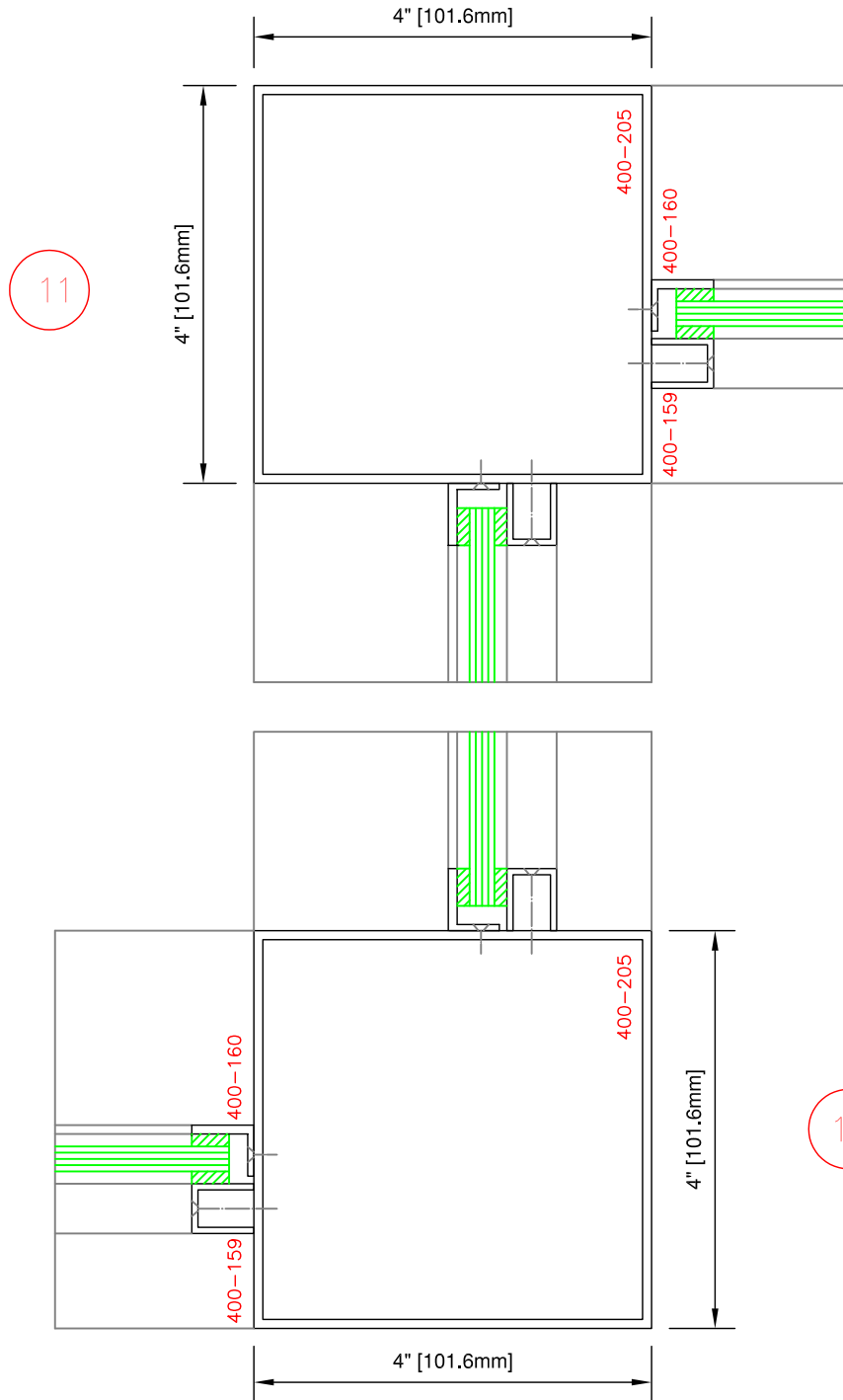
8



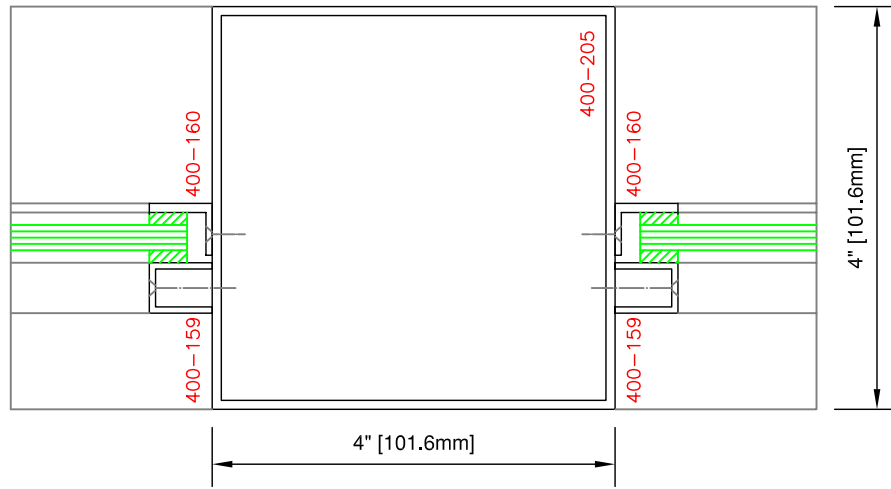
9

\* BASED ON 4" THRESHOLD  
OPTIONAL THRESHOLDS ARE AVAILABLE

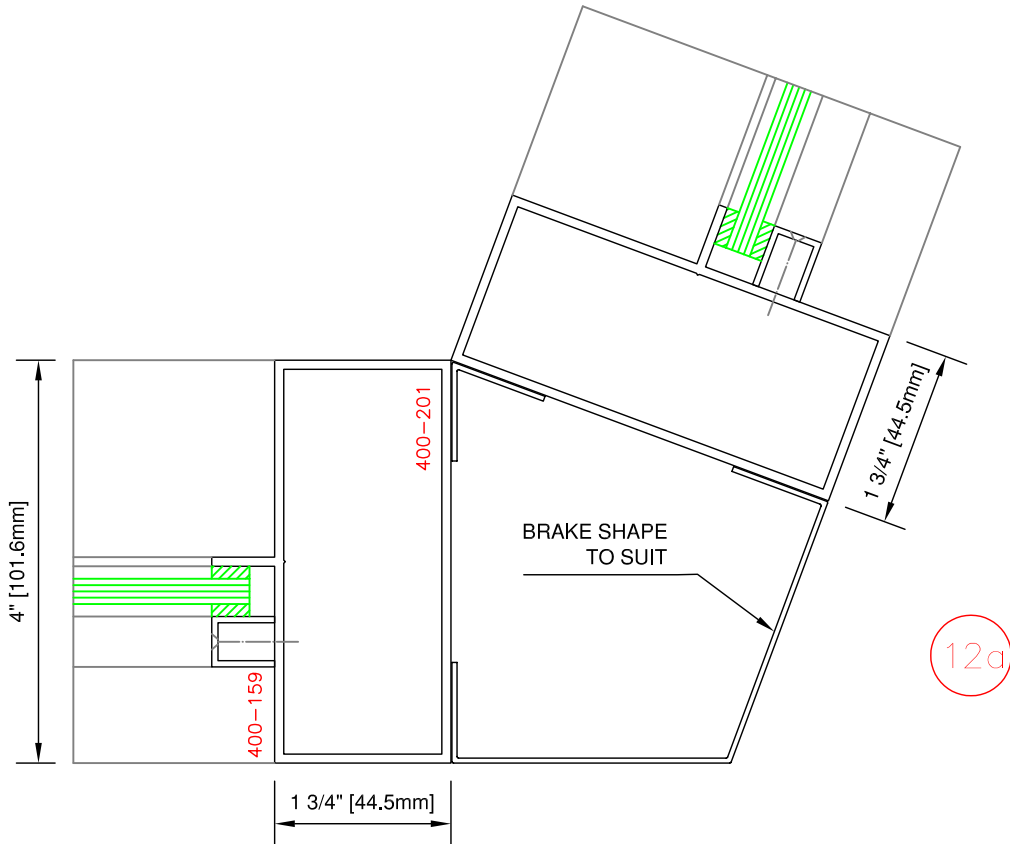
**TYPICAL DETAILS**



**TYPICAL DETAILS**

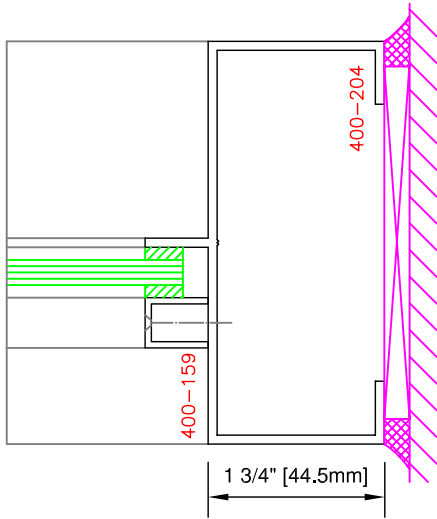


12

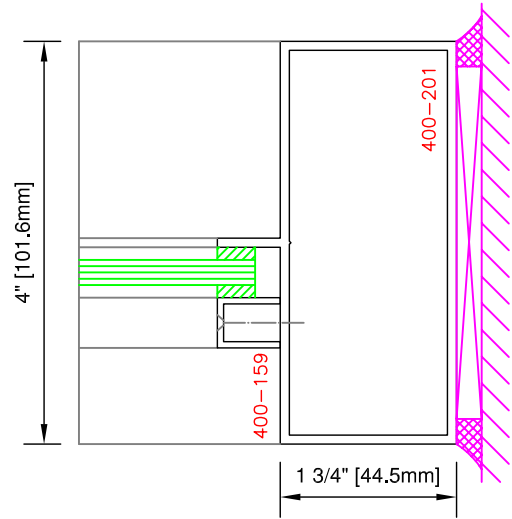


12a

**TYPICAL DETAILS**

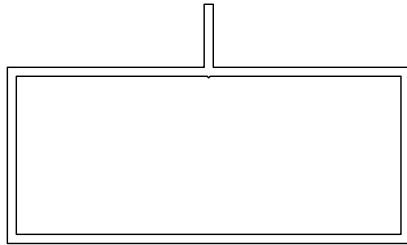


13

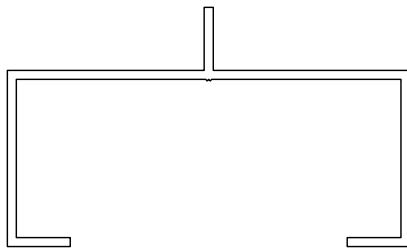


13a

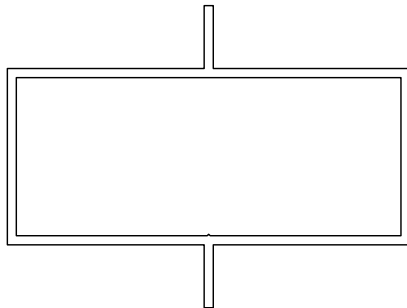
**TYPICAL DETAILS**



PART #: 400-201  
CLOSED BACK ONE FIN  
1-3/4" X 4"  
(44.5mm X 101.6mm)



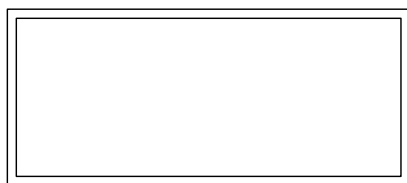
PART #: 400-204  
OPEN BACK ONE FIN  
1-3/4" X 4"  
(44.5mm X 101.6mm)



PART #: 400-202  
TWO FIN TUBE  
1-3/4" X 4"  
(44.5mm X 101.6mm)

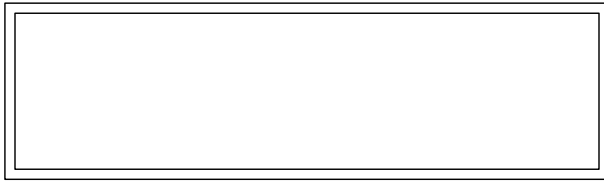


PART #: 400-203  
PLAIN TUBE OPEN BACK  
1-3/4" X 4"  
(44.5mm X 101.6mm)

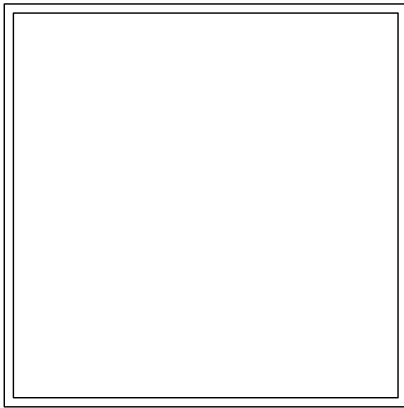


PART #: 400-200  
PLAIN TUBE  
1-3/4" X 4"  
(44.5mm X 101.6mm)

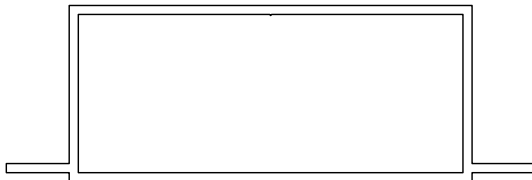
**SYSTEM COMPONENTS**



PART #: 400-096  
PLAIN TUBE  
1-3/4" X 6"  
(44.5mm X 152.4mm)



PART #: 400-205  
SQUARE TUBE  
4" X 4"  
(101.6mm X 101.6mm)



PART #: 400-206  
TWO FIN TUBE  
4" X 1-3/4"  
(101.6mm X 44.5mm)

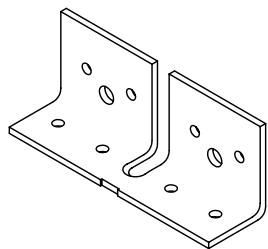


PART #: 400-159  
CHANNEL STOP  
5/8" X 1/2"  
(15.9mm X 12.7mm)



PART #: 400-160  
ANGLE STOP  
5/8" X 1/2"  
(15.9mm X 12.7mm)

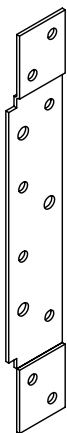
**SYSTEM COMPONENTS**



PART #: 400-901  
ASSEMBLY STEEL BRACKET  
TO ASSEMBLE HORIZONTAL  
TO VERTICAL



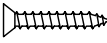

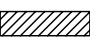


PART #: 400-902  
ASSEMBLY BRACKET  
TO ASSEMBLE SIDELITE  
TO VERTICAL



PART #: 9000-127  
BACK-UP PLATE  
FOR BUTT HINGE

**SYSTEM COMPONENTS**

DRAWING	DESCRIPTION	APPLICATION	QTY/ JOINT
	PART #: 9902-400 #10 X 1/2" PH SCREW	TO FASTEN BRACKET TO JAMB	4
	PART #: 9902-600 #10-24 X 5/8" FHM SCREW	TO FASTEN HORIZONTAL TO BRACKET	4
	PART #: 9902-102 #6 X 1" FH SCREW	TO FASTEN CHANNEL STOP TO FRAME PERIMETER	1
	PART #: 9904-001 POLYSHIM TAPE .150 X .375 - .125" USED FOR GLAZING		
	PART #: 9904-051 FOAM TAPE 1/8" (3MM) FOR DOOR SEAL		

**SYSTEM FASTENERS**