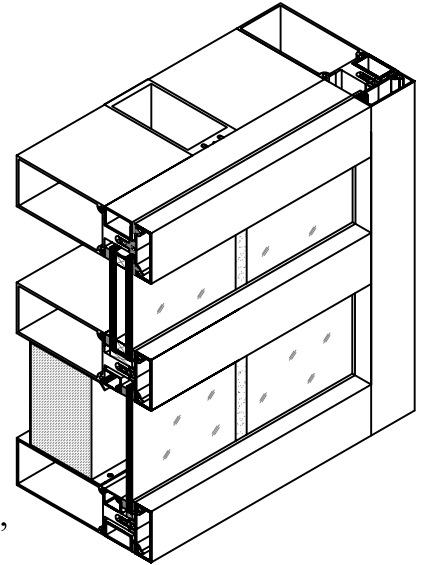


TECHNICAL DATA

SERIES 6100 SSG CURTAIN WALL SYSTEM



<u>DESCRIPTION:</u>	2-1/2" (63.5mm) WIDE, TWO SIDED, STRUCTURAL SILICONE GLAZED THERMALLY BROKEN <u>LOW SPAN WALL SYSTEM</u> , WITH 3-5/8" (92.1mm) AND 5-1/4" (133.4mm) MULLION BACK SECTIONS.
<u>COMPATIBILITY:</u>	ADHESION TESTING OF SILICONE TO FINISHED SECTIONS IS RECOMMENDED BY THE SILICONE MANUFACTURERS. DESIGNED TO SUIT ALL DOORS AND DOOR HARDWARE.
<u>FINISH:</u>	PROFILES STOCKED IN MILL FINISH ONLY. OTHER FINISHES ARE AVAILABLE, SAMPLES UPON REQUEST.
<u>STOCK LENGTH:</u>	24'-2" (7.37 METERS).
<u>ASSEMBLY:</u>	DESIGNED FOR SHEAR BLOCK ASSEMBLY.
<u>STRENGTH:</u>	REFER TO WIND LOAD CHARTS FOR MAXIMUM ALLOWABLE SPANS.
<u>ANCHORING:</u>	REFER TO FABRICATION AND INSTALLATION MANUAL.
<u>GLAZING:</u>	6100 SSG SERIES IS AN EXTERIOR GLAZED SYSTEM WHICH WILL ACCEPT 1/4" (6mm) SINGLE GLASS AND 1" (25mm) SILICONE SEALED UNIT.