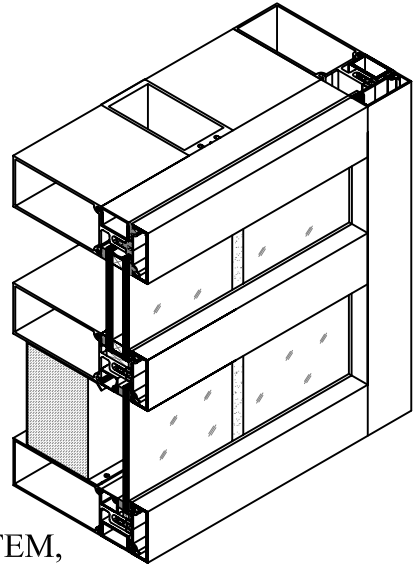


TECHNICAL DATA

SERIES 5000 SSG CURTAIN WALL SYSTEM



- DESCRIPTION: 2" (50.8mm) WIDE, TWO SIDED, STRUCTURAL SILICONE GLAZED THERMALLY BROKEN WALL SYSTEM, WITH 4" (101.6mm) MULLION BACK SECTIONS.
- COMPATIBILITY: ADHESION TESTING OF SILICONE TO FINISHED SECTIONS IS RECOMMENDED BY THE SILICONE MANUFACTURERS.
DESIGNED TO SUIT ALL DOORS AND DOOR HARDWARE.
- FINISH: PROFILES STOCKED IN MILL FINISH ONLY. OTHER FINISHES ARE AVAILABLE, SAMPLES UPON REQUEST.
- STOCK LENGTH: 24'-2" (7.37 METERS).
- ASSEMBLY: DESIGNED FOR SHEAR BLOCK ASSEMBLY.
- STRENGTH: REFER TO WIND LOAD CHARTS FOR MAXIMUM ALLOWABLE SPANS.
- ANCHORING: REFER TO FABRICATION AND INSTALLATION MANUAL.
- GLAZING: 5000 SSG SERIES IS AN EXTERIOR GLAZED SYSTEM WHICH WILL ACCEPT 1/4" (6mm) SINGLE GLASS AND 1" (25mm) SILICONE SEALED UNIT.